

# COBRA 400

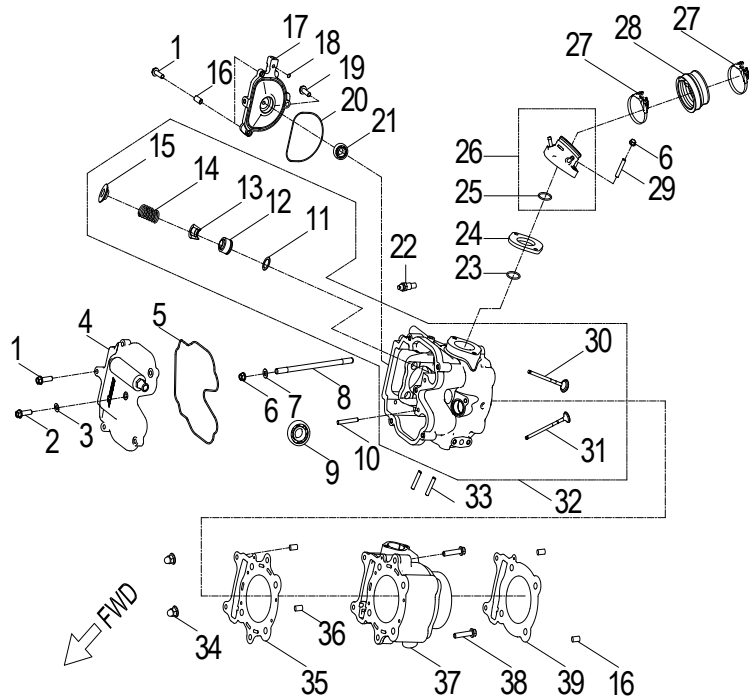


VIN Namber:

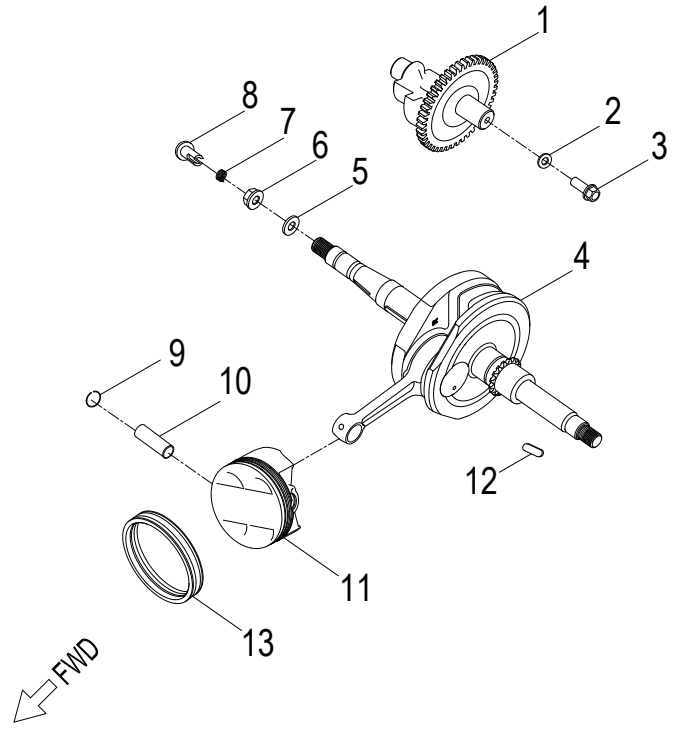
**RF3RA5652ET001270**



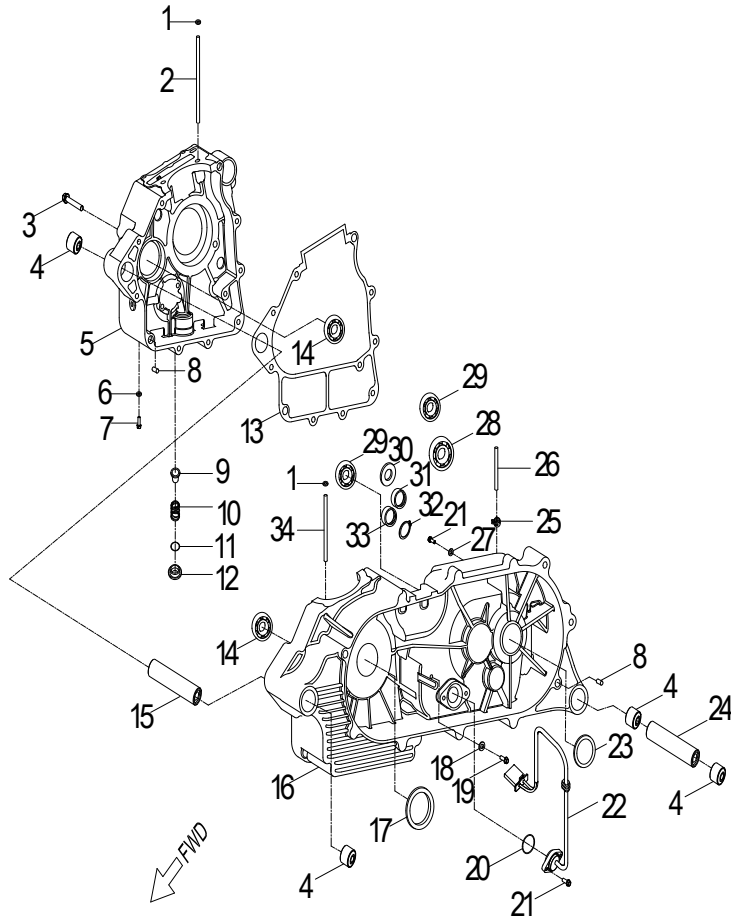
## D-1:CYLINDER HEAD



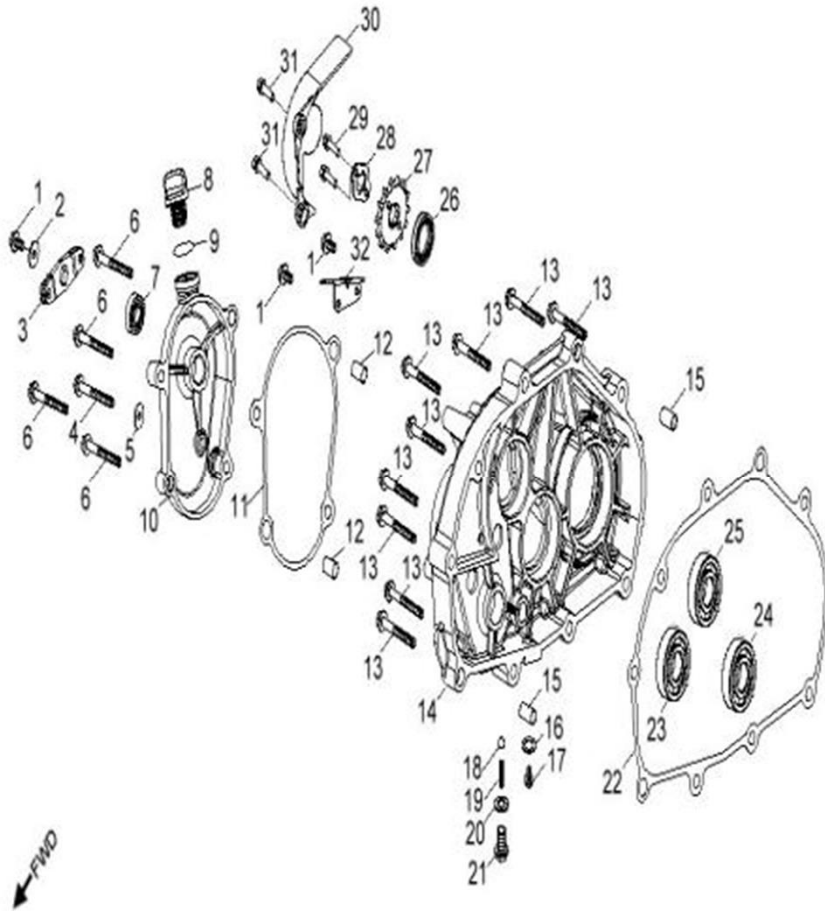
| ITEM | DESCRIPTION                | P/N               | Q'TY | Note        |
|------|----------------------------|-------------------|------|-------------|
| 1    | Bolt                       | 96000-060258-08C  | 7    | M6*P1.0*25L |
| 2    | Bolt                       | 96000-060308-08C  | 1    | M6*P1.0*30L |
| 3    | Washer                     | 94101-0612010-00U | 2    | 6.5* φ 12*t |
| 4    | Asm., Head Cover           | 1231069T-000      | 1    |             |
| 5    | Gasket , Head Cover        | 1239169S-000      | 1    |             |
| 6    | Nut                        | 94050-06000-00C   | 2    | M6*P1.0     |
| 7    | Washer                     | 94101-0613020-U00 | 2    |             |
| 8    | Stud                       | 91001-061158-00C  | 2    |             |
| 9    | Bearing, Ball              | 96100-60020-00000 | 1    |             |
| 10   | Pin, Dowell                | 1447569S-000      | 2    |             |
| 11   | Seat, Valve, Spring, Outer | 1477569S-000      | 4    |             |
| 12   | Seal, Valve                | 1220962B-000      | 4    |             |
| 13   | Clip, Retainer             | 1478169S-000      | 8    |             |
| 14   | Spring, Valve, Outer       | 1475169S-000      | 4    |             |
| 15   | Retainer, Valve, Spring    | 1477169S-000      | 4    |             |
| 16   | Pin, Dowel                 | 94301-08080       | 4    |             |
| 17   | Cover, Head , RH           | 1233169S-000      | 1    |             |
| 18   | O-Ring                     | 93216-00725       | 1    |             |
| 19   | Bolt                       | 96000-060208-08C  | 1    | M6*P1.0*20L |
| 20   | Gasket, Cam Cover          | 1233269S-000      | 1    |             |
| 21   | Bearing, Ball              | 96100-60000-Z00C3 | 1    |             |
| 22   | Plug, Spark                | 9807650N-000      | 1    |             |
| 23   | O-Ring                     | 93210-04320       | 1    |             |
| 24   | Insulator, Cylinder head   | 1711269S-000      | 1    |             |
| 25   | O-Ring                     | 93210-04330       | 1    |             |
| 26   | Asm., Manifold, Intake     | 1710069S-000      | 1    |             |
| 27   | Strap                      | 94520-04064       | 2    |             |
| 28   | Adapter, Carburetor        | 1614669S-000      | 1    |             |
| 29   | Stud                       | 91001-060408-00C  | 2    | M6*P1.0*40L |
| 30   | Valve, Intake              | 1471169S-000      | 2    |             |
| 31   | Valve, Exhaust             | 1472169S-000      | 2    |             |
| 32   | Asm., Cylinder Head        | 1220069S-000      | 1    |             |
| 33   | Stud                       | 91001-080378-00C  | 2    |             |
| 34   | Nut                        | 94022-06000-00C   | 2    |             |
| 35   | Gasket Set                 | 1225069S-000      | 1    |             |
| 36   | Pin, Dowel                 | 94301-10140       | 2    | φ10*14L     |
| 37   | Cylinder                   | 1210069S-000      | 1    |             |
| 38   | Bolt                       | 96000-060308-08C  | 2    | M6*P1.0*30L |
| 39   | Gasket, Cylinder           | 1219169S-000      | 1    |             |



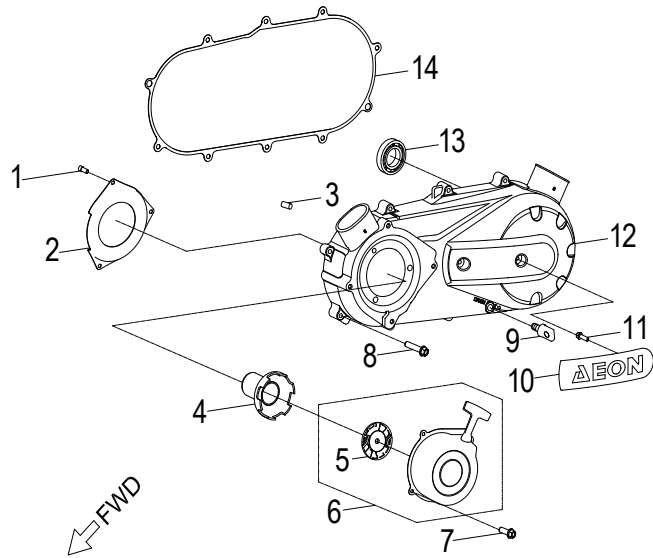
| ITEM | DESCRIPTION           | P/N               | Q"TY | Note        |
|------|-----------------------|-------------------|------|-------------|
| 1    | Shaft, Balancer       | 1342069S-000      | 1    |             |
| 2    | Washer                | 94101-0832030-000 | 1    |             |
| 3    | Bolt                  | 96000-080148-OKL  | 1    | M8*P1.25*14 |
| 4    | Asm., Crankshaft      | 1300069S-000      | 1    |             |
| 5    | Washer                | 94101-1426020-00C | 1    | 14.2*φ26*   |
| 6    | Nut                   | 94001-14000-00C   | 1    | M14*P1.5    |
| 7    | Spring, Oil           | 1544739A-000      | 1    |             |
| 8    | Tube, Oil, Crankshaft | 1544139A-000      | 1    |             |
| 9    | Clip, Piston Pin      | 1311550A-000      | 2    |             |
| 10   | Pin, Piston           | 1311169S-000      | 1    |             |
| 11   | Piston                | 1310069S-000      | 1    |             |
| 12   | Key, Woodruff         | 90471-25404       | 1    |             |
| 13   | Ring Set, Piston      | 1301169S-000      | 1    |             |



| ITEM | DESCRIPTION           | P/N               | Q"TY | Note         |
|------|-----------------------|-------------------|------|--------------|
| 1    | Washer                | 94108-0816030-00C | 4    |              |
| 2    | Stud                  | 91001-081818-00B  | 2    |              |
| 3    | Bolt                  | 96000-060508-08C  | 4    | M6*P1.0*50L  |
| 4    | Bushing               | 96400-102824      | 4    |              |
| 5    | Crankcase, Rh         | 1110150A-000      | 1    |              |
| 6    | Washer                | 94101-1221320-00L | 1    | 2.1* φ 21.3  |
| 7    | Bolt                  | 96003-120158-17C  | 1    | 112*P1.25*15 |
| 8    | Pin, Dowel            | 94301-10140       | 4    | φ10*14L      |
| 9    | Screen                | 15421119-000      | 1    |              |
| 10   | Spring, Screen        | 15426119-000      | 1    |              |
| 11   | O-Ring                | 93212-03132       | 1    |              |
| 12   | Plug, Drain, Oil      | 11334119-000      | 1    |              |
| 13   | Gasket                | 1119150A-002      | 1    |              |
| 14   | Bearing, Ball         | 96100-63040-00000 | 2    |              |
| 15   | Spacer, Collar        | 1115050A-000      | 1    |              |
| 16   | Crankcase, Lh         | 1120150A-001      | 1    |              |
| 17   | Seal, Oil             | 96504-304207FKM   | 1    |              |
| 18   | Washer                | 94101-0624016-00G | 1    | 5.1* φ 24*t1 |
| 19   | Bolt                  | 96000-060108-08C  | 1    | M6*P1.0*10L  |
| 20   | O-Ring                | 93212-02620       | 1    | 25.7*1.9     |
| 21   | Bolt                  | 96000-060128-08C  | 4    | M6*P1.0*12L  |
| 22   | Asm., Sensor, Shifter | 3575950S-000      | 1    |              |
| 23   | Seal, Oil             | 96504-253807FKM   | 1    |              |
| 24   | Spacer, Collar, Rear  | 1115150A-000      | 1    |              |
| 25   | Clamp                 | 94515-12008       | 1    | 12*8         |
| 26   | Hose                  | 94408-09013-400   | 1    |              |
| 27   | Washer                | 94101-0618015-00K | 2    | 5.1* φ 18*t1 |
| 28   | Bearing, Ball         | 96100-63050-00000 | 1    |              |
| 29   | Bearing, Ball         | 96100-62040-00000 | 1    |              |
| 30   | Washer                | 94101-1733015-000 | 1    | 7.2* φ 33*t  |
| 31   | Bearing, Needle       | 91120-172518      | 1    |              |
| 32   | Clip, Cir             | 94511-2500S       | 1    | 25mm         |
| 33   | Bearing, Needle       | 96200-202715      | 1    |              |
| 34   | Stud                  | 91001-081888-00B  | 2    |              |

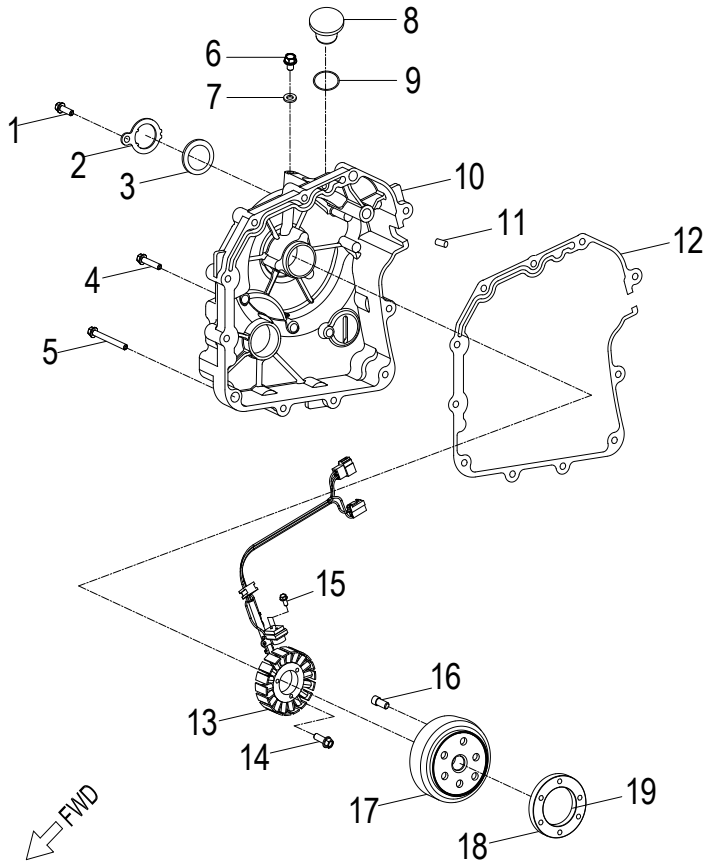


| ITEM | DESCRIPTION                | P/N               | Q"TY | Note          |
|------|----------------------------|-------------------|------|---------------|
| 1    | Bolt                       | 96000-060168-10K  | 3    | M6*P1.0*16L   |
| 2    | Washer                     | 94101-0618015-00K | 1    | 5.1* φ 18*t1  |
| 3    | Lever, Shift               | 2131755C-000      | 1    |               |
| 4    | Bolt                       | 96000-060088-00K  | 1    | M6*P1.0*8L    |
| 5    | Washer                     | 94101-0612010-00U | 1    | 6.5* φ 12*t   |
| 6    | Bolt                       | 96000-060358-08C  | 4    | M6*P1.0*35L   |
| 7    | Seal, Oil                  | 96500-142807A7271 | 1    | 14*28*7       |
| 8    | Plug, Oil                  | 15650111-001      | 1    |               |
| 9    | O-Ring                     | 93210-01425       | 1    | φ13.8*t2.5    |
| 10   | Cover, Shift               | 2136150S-000      | 1    |               |
| 11   | Gasket, Inspection Cover   | 2136250S-002      | 1    |               |
| 12   | Pin, Dowel                 | 94301-08140       | 2    | 8*14          |
| 13   | Bolt                       | 96000-080458-00C  | 9    | M8*P1.25*45L  |
| 14   | Cover, Transmission        | 2130155C-000      | 1    |               |
| 15   | Pin, Dowel                 | 94301-10140       | 2    | φ10*14L       |
| 16   | Washer                     | 94101-1221320-00L | 1    | 2.1* φ 21.3   |
| 17   | Bolt                       | 96000-120158-14C  | 1    | M12*P1.25*15L |
| 18   | Ball, Steel                | 2132239A-000      | 1    |               |
| 19   | Spring, Detent             | 2430655E-000      | 1    |               |
| 20   | Washer                     | 94101-1422010-00L | 1    | 14.2* φ 22*   |
| 21   | Bolt                       | 2430539A-000      | 1    |               |
| 22   | Gasket, Transmission Cover | 2139550A-002      | 1    |               |
| 23   | Bearing, Ball              | 96100-63040-00000 | 1    |               |
| 24   | Bearing, Ball              | 96100-63050-00000 | 1    |               |
| 25   | Bearing, Ball              | 96100-62040-00000 | 1    |               |
| 26   | Seal, Oil                  | 96504-255207NBR   | 1    |               |
| 27   | Sprocket, Drive            | 23801159-001      | 1    | 17T           |
| 28   | Bracket, Sprocket          | 23811201-000      | 1    |               |
| 29   | Bolt                       | 92000-060108-00C  | 2    | M6*P1.0*10L   |
| 30   | Shield                     | 40510201-000      | 1    |               |
| 31   | Bolt                       | 93501-060168-00K  | 2    | 1.0*16L W/W   |
| 32   | Adaptor, Shift Cable       | 2134155C-000      | 1    |               |

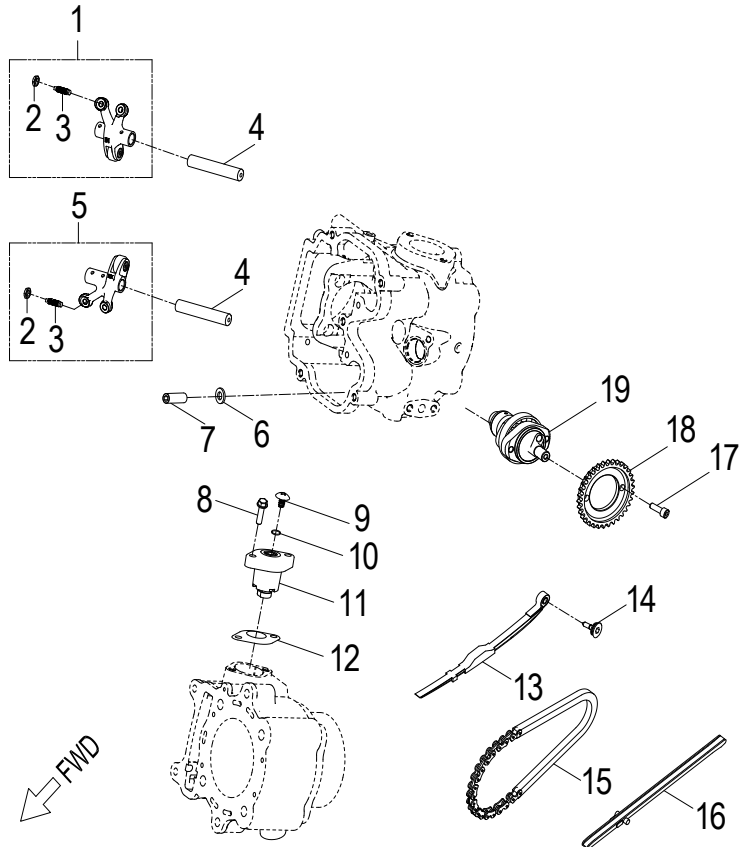


| ITEM | DESCRIPTION               | P/N                 | Q'TY | Note         |
|------|---------------------------|---------------------|------|--------------|
| 1    | Bolt                      | 91003-060088-00K    | 3    |              |
| 2    | Wind Guider, Drive Clutch | 1133969S-000        | 1    |              |
| 3    | Pin, Dowel                | 94301-10140         | 2    | φ10*14L      |
| 4    | Ratchet, Recoil           | 2210769S-000        | 1    |              |
| 5    | Sliding Cover Comp        | 1170650A-000        | 1    |              |
| 6    | Recoil, Starter           | 1135050A-000        | 1    |              |
| 7    | Bolt                      | 96000-060168-10K    | 4    | M6*P1.0*16L  |
| 8    | Bolt                      | 96000-060408-08C    | 10   | M6*P1.0*40L  |
| 9    | Drain plug                | 11353201-000        | 1    |              |
| 10   | Tablet, Logo              | 1134750A-000        | 1    |              |
| 11   | Bolt                      | 96000-050128-00K    | 2    | M5*P0.8*12L  |
| 12   | Cover, Clutch             | 1134169S-000        | 1    |              |
| 13   | Bearing, Ball             | 96100-6004-LLUC3/ZG | 1    | 004LLUC3/L54 |
| 14   | Gasket                    | 1135950A-002        | 1    |              |

**D-6:CRANKCASE COVER ,RH**



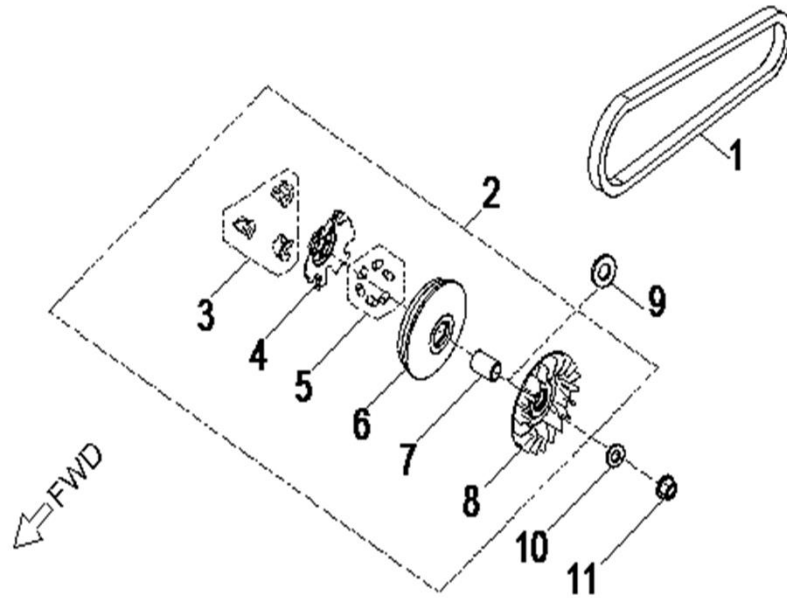
| ITEM | DESCRIPTION           | P/N               | Q"TY | Note        |
|------|-----------------------|-------------------|------|-------------|
| 1    | Bolt                  | 96000-060128-08C  | 1    | M6*P1.0*12L |
| 2    | Retainer, Sight Glass | 1133350S-000      | 1    |             |
| 3    | Oil Windows           | 1120250A-000      | 1    |             |
| 4    | Bolt                  | 96000-060458-08C  | 4    | M6*P1.0*45L |
| 5    | Bolt                  | 96000-061359-08G  | 7    |             |
| 6    | Bolt                  | 96000-060108-10K  | 1    | M6*P1.0*10L |
| 7    | Washer                | 94101-0612010-00U | 1    | 6.5* φ 12*t |
| 8    | Cap(Nickel Silver)    | 96600-30075000000 | 1    |             |
| 9    | O-Ring                | 93210-02724       | 1    | φ27.4*t2.4  |
| 10   | Crankcase Cover, Rh   | 1133550A-000      | 1    |             |
| 11   | Pin, Dowel            | 94301-10140       | 2    | φ10*14L     |
| 12   | Gasket, Crankcase, RH | 1139350A-002      | 1    |             |
| 13   | Stator                | 3112062E-000      | 1    |             |
| 14   | Screw                 | 91300-050258-00C  | 3    | 0.8*25L W/W |
| 15   | Bolt                  | 92000-050128-00C  | 2    | M5*P0.8*12L |
| 16   | Bolt                  | 91000-080188-00C  | 6    |             |
| 17   | Flywheel              | 3111069F-000      | 1    |             |
| 18   | Outer, One Way        | 2812169N-000      | 1    |             |
| 19   | Asm., Rollor, One Way | 2813069N-000      | 1    |             |



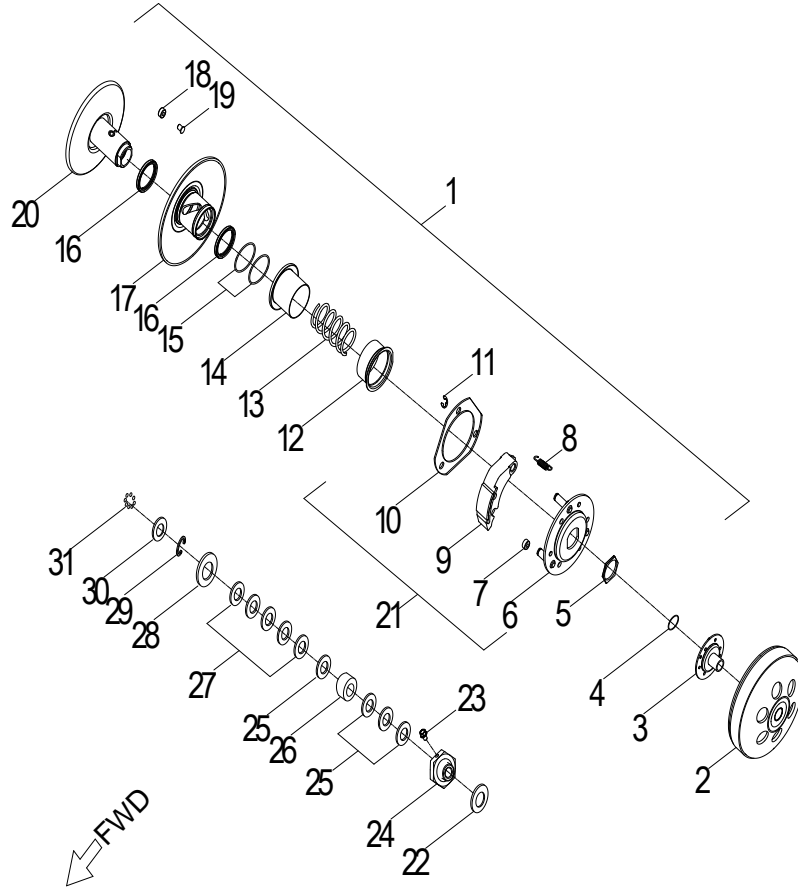
| ITEM | DESCRIPTION                   | P/N               | Q'TY | Note        |
|------|-------------------------------|-------------------|------|-------------|
| 1    | Arm Comp,Valve Rocker Intake  | 1443069F-000      | 1    |             |
| 2    | Nut,Tappet Adjusting          | 14433140-000      | 4    |             |
| 3    | Screw,Tappet Adjusting        | 14432140-000      | 4    |             |
| 4    | Shaft,Valve Rocker Arm        | 1445169S-000      | 2    |             |
| 5    | Arm Comp,Valve Rocker Exhaust | 1444069F-000      | 1    |             |
| 6    | Washer                        | 94108-0816030-00C | 4    |             |
| 7    | Nut, Head                     | 1221869S-000      | 4    |             |
| 8    | Bolt                          | 96000-060228-14C  | 2    | M6*P1.0*22L |
| 9    | Screw                         | 93000-060068-00K  | 1    | M6*P1.0*6L  |
| 10   | O-Ring                        | 93210-00915       | 1    | 9.5*1.5     |
| 11   | Tensioner                     | 1452150N-000      | 1    |             |
| 12   | Gasket, Tensioner             | 14523119-002      | 1    |             |
| 13   | Guide, Cam Chain, RH          | 1455050A-000      | 1    |             |
| 14   | Pivot, Guide                  | 1453550A-000      | 1    |             |
| 15   | Chain, Cam                    | 1440169S-000      | 1    |             |
| 16   | Guide, Cam Chain, LH          | 1450050N-000      | 1    |             |
| 17   | Bolt                          | 91000-060128-OKL  | 2    |             |
| 18   | Sprocket, Camshaft            | 1410869S-000      | 1    |             |
| 19   | Asm., Cam Shaft               | 1440050T-000      | 1    |             |



| Item | Description                   | Part number       | Q.ty | Note        |
|------|-------------------------------|-------------------|------|-------------|
| 1    | Belt, Driven                  | 2310062F-000      | 1    |             |
| 2    | Asm., Sliding                 | 2210369S-000      | 1    |             |
| 3    | Bushing, Slider               | 2213369N-000      | 1    |             |
| 4    | Plate, Sheave                 | 2213169S-000      | 1    |             |
| 5    | Roller                        | 2212069S-000      | 1    |             |
| 6    | Wheel, Slot, Sliding, Primary | 2211062E-000      | 1    |             |
| 7    | Bushing, Sheave               | 2210669S-000      | 1    |             |
| 8    | Sheave, moveable              | 2210262E-000      | 1    |             |
| 9    | Washer                        | 94101-1733015-000 | 1    | 17.2x33x1.5 |
| 10   | Washer                        | 94121-1426016-000 | 1    | 14x26x1.6   |
| 11   | Nut                           | 94050-14021-00C   | 1    |             |

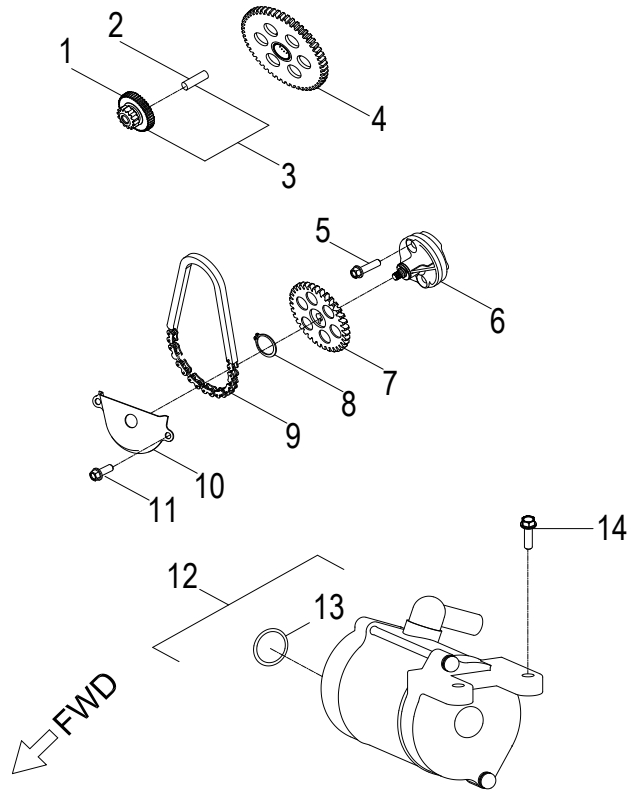


**D-9:DRIVEN CLUTCH**

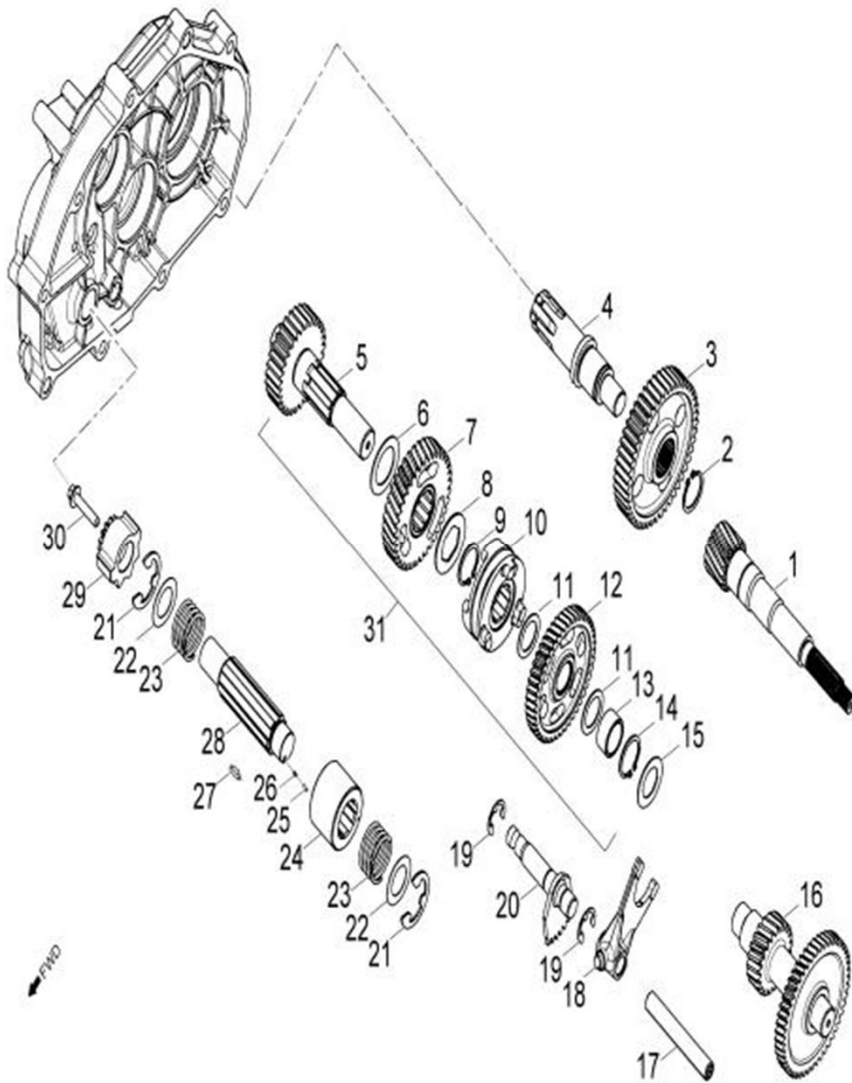


| ITEM | DESCRIPTION         | P/N               | Q'TY | Note        |
|------|---------------------|-------------------|------|-------------|
| 1    | Asm., Driven Clutch | 2200069S-000      | 1    |             |
| 2    | Clutch, Outer       | 2210062E-000      | 1    |             |
| 3    | Hold, Cam           | 2210139A-000      | 1    |             |
| 4    | O-Ring              | 93214-02031       | 1    |             |
| 5    | Nut                 | 95111-0001C-000   | 1    | M28         |
| 6    | Plate, Drive, Inner | 2235062E-000      | 1    |             |
| 7    | Bushing, Rubber     | 2280469N-000      | 3    |             |
| 8    | Spring, Clutch      | 2240162E-000      | 3    |             |
| 9    | Weight, Clutch      | 2253569N-000      | 3    |             |
| 10   | Plate, Drive, Side  | 2235162E-000      | 1    |             |
| 11   | Clip, Cir           | 94511-0700E       | 3    |             |
| 12   | Seal, Collor        | 2323962E-000      | 1    |             |
| 13   | Spring, Clutch      | 2323362E-000      | 1    |             |
| 14   | Seal, Collor        | 2323762E-000      | 1    |             |
| 15   | O-Ring              | 93214-04720       | 2    |             |
| 16   | Seal, Oil           | 96500-404704FKM   | 2    |             |
| 17   | Sheave, Moveable    | 2322062E-001      | 1    |             |
| 18   | Roller, Guide       | 2322662E-000      | 3    |             |
| 19   | Pin, Guide          | 2322562E-000      | 3    |             |
| 20   | Sheave, Driven      | 2320062E-000      | 1    |             |
| 21   | Asm., Driven Shoes  | 2200162E-000      | 1    |             |
| 22   | Washer              | 94121-2038005-00K | 1    |             |
| 23   | Bolt                | 91205-050088-OKL  | 1    | M5*P0.8*8L  |
| 24   | Nut, Driven         | 2210539A-000      | 1    |             |
| 25   | Washer              | 94101-2538010-000 | 4    | 25* φ 38*t  |
| 26   | Guide, Cam          | 2210839A-000      | 1    |             |
| 27   | Washer, Special     | 94122-2550020-00K | 5    | 25.2* φ 50* |
| 28   | Retainer, Ball      | 2210439A-000      | 1    |             |
| 29   | Clip, Cir           | 94511-250IS       | 1    |             |
| 30   | Washer              | 94101-2531010-00K | 1    | 5.2* φ 31.3 |
| 31   | Ball, Steel         | 96211-07000       | 8    |             |

**D-10: OIL PUMP/STARTING MOTOR**

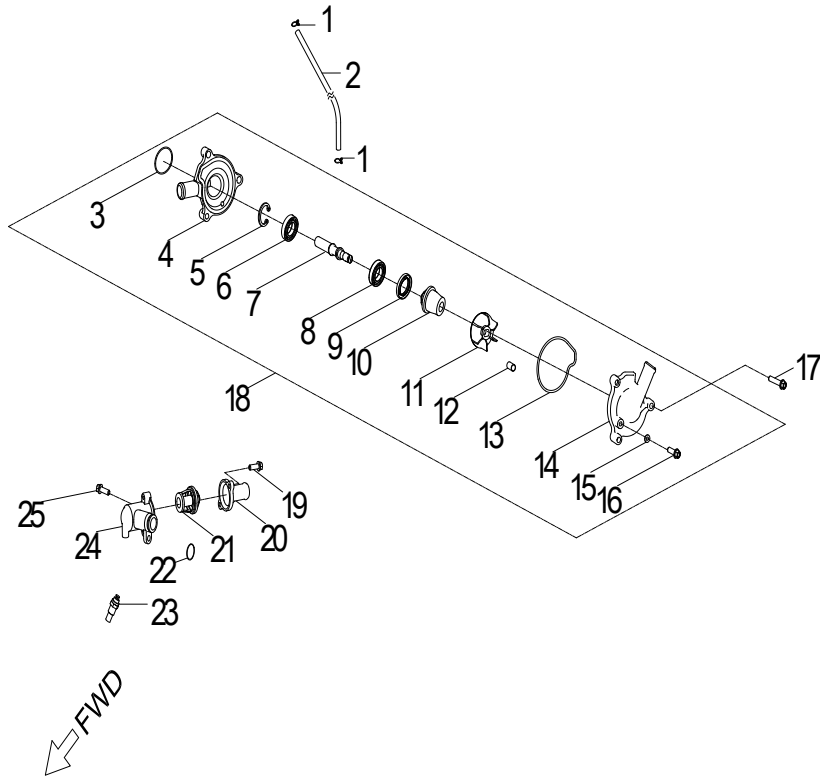


| ITEM | DESCRIPTION          | P/N              | Q'TY | Note        |
|------|----------------------|------------------|------|-------------|
| 1    | Gear, Starter        | 2842350A-000     | 1    |             |
| 2    | Shaft, Starter Motor | 2842450A-000     | 1    |             |
| 3    | Asm., Gear Starter   | 2842250A-000     | 1    | Incl. 1~2   |
| 4    | Gear, Starter        | 2822069N-000     | 1    |             |
| 5    | Bolt                 | 96000-060308-08C | 2    | M6*P1.0*30L |
| 6    | Asm., Oil Pump       | 1500050A-000     | 1    |             |
| 7    | Sprocket, Oil Pump   | 1515050A-000     | 1    |             |
| 8    | Clip, Cir            | 94511-1000S      | 1    |             |
| 9    | Chain, Oil Pump      | 1514150A-000     | 1    |             |
| 10   | Cover, Oil Pump      | 1571150A-000     | 1    |             |
| 11   | Bolt                 | 96000-060128-08C | 2    | M6*P1.0*12L |
| 12   | Motor, Starter       | 3120062E-000     | 1    |             |
| 13   | O-Ring               | 93210-02431      | 1    | 24.4*3.1    |
| 14   | Bolt                 | 96000-060208-08C | 2    | M6*P1.0*20L |

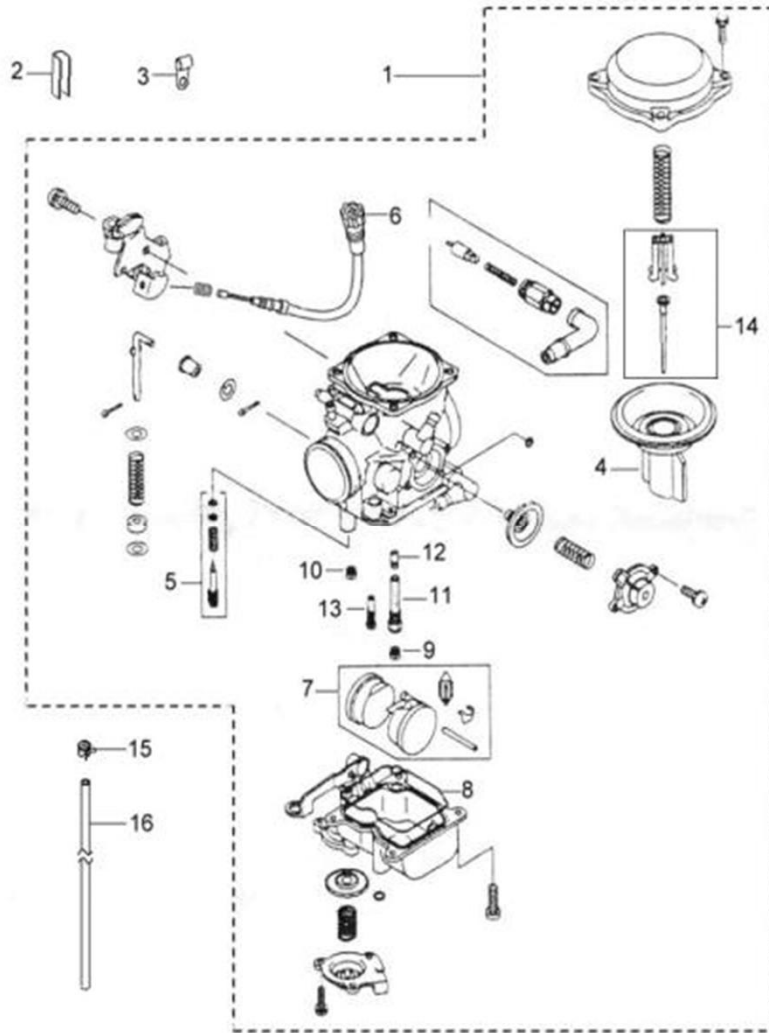


| ITEM | DESCRIPTION          | P/N               | Q"TY | Note        |
|------|----------------------|-------------------|------|-------------|
| 1    | Shaft, Drive         | 2341150S-000      | 1    |             |
| 2    | Clip, Cir            | 94511-2400S       | 1    |             |
| 3    | Gear, Output         | 2343255C-000      | 1    |             |
| 4    | Pinion, Output       | 2343155C-000      | 1    |             |
| 5    | Shaft, Transmission  | 2344150A-000      | 1    |             |
| 6    | Washer               | 94101-2538010-000 | 1    | 25* φ 38*t  |
| 7    | Gear Set, Reverse    | 2346050A-000      | 1    |             |
| 8    | Washer, Spline       | 2343550A-000      | 1    |             |
| 9    | Clip, Cir            | 94511-2500S       | 1    | 25mm        |
| 10   | Ratchet, Shift       | 2243050A-001      | 1    |             |
| 11   | Washer               | 94101-2027010-000 | 2    | 20* φ 27*t  |
| 12   | Asm., Gear, Spur     | 2345050A-001      | 1    |             |
| 13   | Collar, Shaft        | 2344250A-000      | 1    |             |
| 14   | Clip, Cir            | 94511-2000S       | 1    |             |
| 15   | Washer               | 94101-2033010-000 | 1    | 20* φ 33*t  |
| 16   | Asm., Shaft, Counter | 2342050A-000      | 1    |             |
| 17   | Shaft, Gear Shift    | 2424150S-000      | 1    |             |
| 18   | Fork, Shift          | 2423150A-000      | 1    |             |
| 19   | E-Clip               | 94513-1200E       | 2    |             |
| 20   | Spindle              | 2461150S-000      | 1    |             |
| 21   | E-Clip               | 94513-1900E       | 2    |             |
| 22   | Washer               | 94101-2032005-000 | 2    | 20* φ 32*t0 |
| 23   | Recoil, Shift        | 2430350S-001      | 2    |             |
| 24   | Drum, Gear Shifter   | 2430150S-000      | 1    |             |
| 25   | Roller, Drum Sensor  | 2425239A-000      | 1    |             |
| 26   | Spring, Drum Sensor  | 2425339A-000      | 1    |             |
| 27   | Key, Woodruff        | 90472-40420       | 1    |             |
| 28   | Shaft, Shift Drum    | 2430850S-000      | 1    |             |
| 29   | Gear, Drum Shift     | 2431050S-000      | 1    |             |
| 30   | Bolt                 | 96000-060288-10C  | 1    | M6*P1.0*28L |
| 31   | Asm., Transmission   | 2344050A-000      | 1    | Incl. 5~15  |

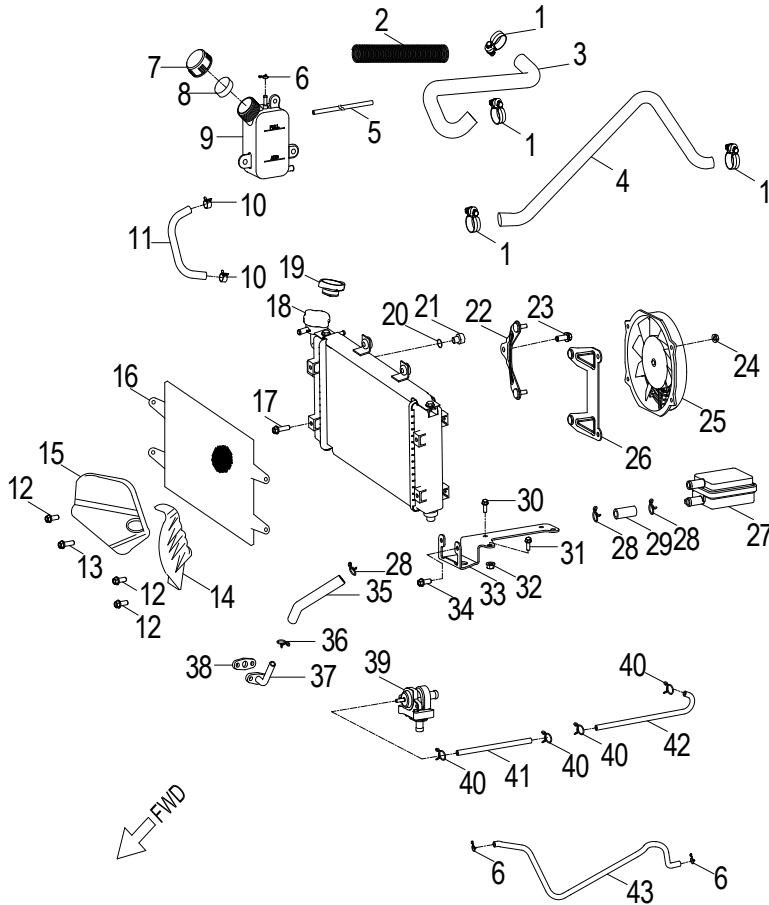
**D-12: WATER PUMP**



| ITEM | DESCRIPTION          | P/N               | Q'TY | Note        |
|------|----------------------|-------------------|------|-------------|
| 1    | Clamp                | 1922250A-000      | 2    |             |
| 2    | Hose                 | 1950250A-001      | 1    |             |
| 3    | O-Ring               | 93210-02920       | 1    | 29*2.0      |
| 4    | Body, Water Pump     | 1921150A-000      | 1    |             |
| 5    | Clip, Cir            | 94512-2600R       | 1    |             |
| 6    | Bearing, Ball        | 96100-60000       | 1    |             |
| 7    | Shaft, Water Pump    | 1923150A-000      | 1    |             |
| 8    | Bearing, Ball        | 96100-69010       | 1    |             |
| 9    | Seal, Oil            | 96500-122207      | 1    |             |
| 10   | Seal, Mechanical     | 1921750A-000      | 1    |             |
| 11   | Impeller, Water Pump | 1921550A-000      | 1    |             |
| 12   | Pin, Dowel           | 94301-08140       | 2    | 8*14        |
| 13   | Gasket               | 1922950A-000      | 1    |             |
| 14   | Flange, Water Pump   | 1922150A-000      | 1    |             |
| 15   | Washer               | 94101-0612010-00U | 1    | 6.5* φ 12*t |
| 16   | Bolt                 | 96000-060128-08C  | 1    | M6*P1.0*12L |
| 17   | Bolt                 | 96000-060408-08C  | 3    | M6*P1.0*40L |
| 18   | Asm., Water Pump     | 1921050A-000      | 1    |             |
| 19   | Bolt                 | 96000-050168-00C  | 2    | M5*P0.8*16L |
| 20   | Flange, Thermosatic  | 1931550N-000      | 1    |             |
| 21   | Bimetal, Thermosatic | 1930050A-000      | 1    |             |
| 22   | O-Ring               | 93212-01719       | 1    |             |
| 23   | Sensor, Thermosatic  | 1931950A-000      | 1    |             |
| 24   | Housing, Thermosatic | 1931150A-000      | 1    |             |
| 25   | Bolt                 | 96000-060188-08C  | 1    | M6*P1.0*18L |

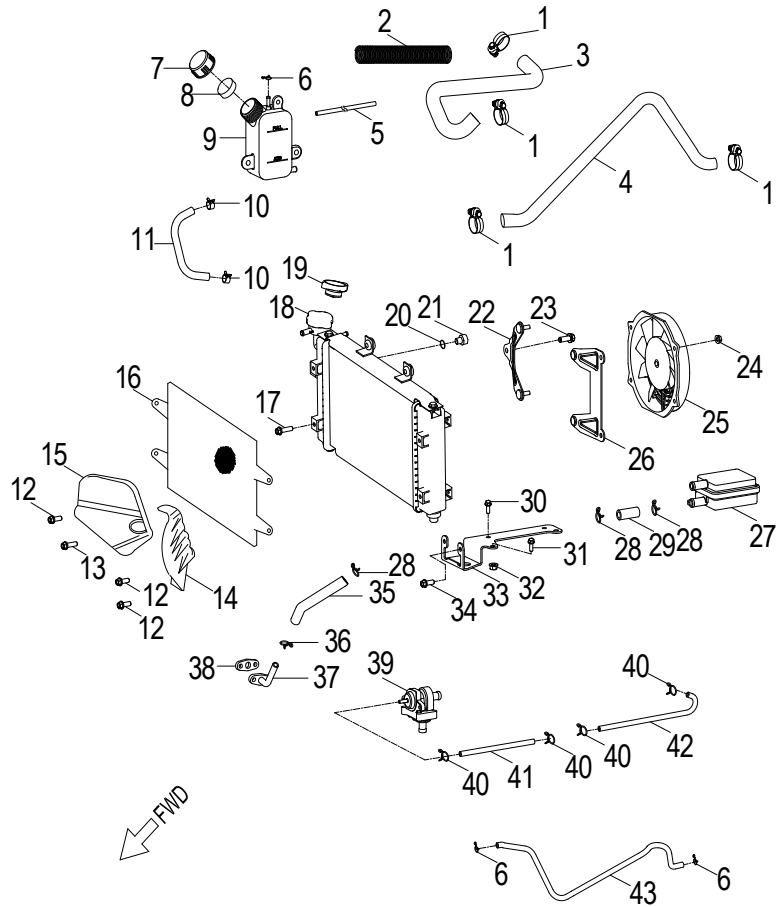


| ITEM | DESCRIPTION               | P/N             | Q'TY | Note |
|------|---------------------------|-----------------|------|------|
| 1    | Asm., Carburetor          | 1610069S-000    | 1    |      |
| 2    | Limiting Plate, Throttle  | 16163201-000    | 1    |      |
| 3    | Cable Fastener            | 45458205-000    | 1    |      |
| 4    | Throttle Valve, Diaphragm | 1605069S-000    | 1    |      |
| 5    | Screw, Air                | 1611569S-000    | 1    |      |
| 6    | Screw, Idle               | 1611469S-000    | 1    |      |
| 7    | Float                     | 1612369S-000    | 1    |      |
| 8    | Seal, Float               | 1610669S-000    | 1    |      |
| 9    | Jet, Main                 | 1610869S-000    | 1    |      |
| 10   | Jet, Choke                | 1621469S-000    | 1    |      |
| 11   | Valve, Needle             | 1610569S-000    | 1    |      |
| 12   | Needle, Jet               | 1615069S-000    | 1    |      |
| 13   | Jet, Pilot                | 1611069S-000    | 1    |      |
| 14   | Asm., Jet Needle          | 1610469S-000    | 1    |      |
| 15   | Clamp                     | 94515-07807     | 1    |      |
| 16   | Tube, Oil                 | 94403-04008-430 | 1    |      |

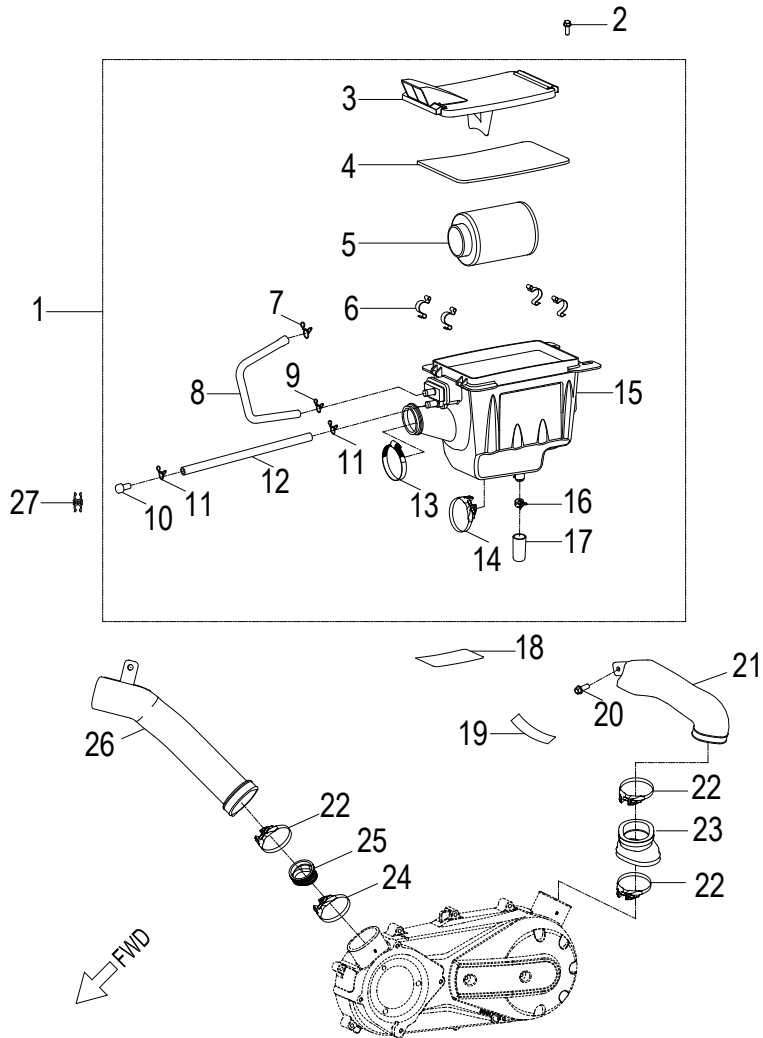


| ITEM | DESCRIPTION                 | P/N              | Q"TY | Note        |
|------|-----------------------------|------------------|------|-------------|
| 1    | Clamp                       | 1922250A-000     | 4    |             |
| 2    | Spring, Coolant Hose        | 1950762U-000     | 1    |             |
| 3    | Hose, Inlet, Radiator       | 19503206-000     | 1    |             |
| 4    | Hose, Outlet, Radiator      | 19501202-000     | 1    |             |
| 5    | Hose                        | 94408-05007-450  | 1    |             |
| 6    | Clip                        | 94510-06500      | 3    |             |
| 7    | Cap, Expansion Tank         | 1910250A-000     | 1    |             |
| 8    | Boot, Duct                  | 1726950A-000     | 1    |             |
| 9    | Tank, Expansion             | 1910150A-000     | 1    |             |
| 10   | Clamp                       | 94515-12008      | 2    | 12*8        |
| 11   | Hose, Inlet, Expansion Tank | 19506203-000     | 1    |             |
| 12   | Bolt                        | 96007-060188-00K | 3    | 1.0*18L W/W |
| 13   | Bolt                        | 96007-060278-00K | 1    | 1.0*27L W/W |
| 14   | Wind Panel, Radiator, LH    | 19116201-000     | 1    |             |
| 15   | Wind Panel, Radiator, RH    | 19117201-000     | 1    |             |
| 16   | Radiator Cover              | 1911562E-000     | 1    |             |
| 17   | Bolt                        | 96007-060228-00K | 2    | 1.0*22L W/W |
| 18   | Radiator                    | 1901162E-001     | 1    |             |
| 19   | Cap, Water                  | 1911150A-000     | 1    |             |
| 20   | O-Ring                      | 93210-01224      | 1    |             |
| 21   | Switch, Thermostatic        | 1932551T-000     | 1    |             |
| 22   | Bracket, Fan, Right         | 1900662E-000     | 1    |             |
| 23   | Screw                       | 93003-060168-00K | 3    | 1.0*16L W/W |
| 24   | Nut                         | 94050-06000-00C  | 4    | M6*P1.0     |
| 25   | Asm., Fan                   | 1900562E-000     | 1    |             |
| 26   | Bracket, Fan, Left          | 1900762E-000     | 1    |             |
| 27   | Asm.,Filter, Daul- Intake   | 18995202-000     | 1    |             |
| 28   | Clip                        | 94510-15000      | 3    |             |
| 29   | Hose, Rubber                | 96420-01016-052  | 1    |             |
| 30   | Bolt                        | 96000-060168-08C | 2    | M6*P1.0*16L |
| 31   | Bolt                        | 96000-060128-0KL | 2    | M6*P1.0*12L |
| 32   | Nut                         | 94050-06000-00K  | 2    | M6*P1.0     |
| 33   | Bracket, Dual- Intake       | 1899850A-000     | 1    |             |
| 34   | Bolt                        | 96000-060148-10K | 4    | M6*P1.0*14L |
| 35   | Hose                        | 18992203-000     | 1    |             |
| 36   | Clip                        | 94510-13000      | 1    |             |
| 37   | Tube, Dual- Intake          | 18640207-000     | 1    |             |
| 38   | Gasket, Hose                | 1864639E-000     | 1    |             |
| 39   | Valve, Dual-Intake          | 1899955E-000     | 1    |             |
| 40   | Clip                        | 94510-06500      | 4    |             |

| ITEM | DESCRIPTION               | P/N             | Q'TY | Note |
|------|---------------------------|-----------------|------|------|
| 41   | Hose                      | 94407-04007-160 | 1    |      |
| 42   | Hose                      | 17533205-000    | 1    |      |
| 43   | Hose, Bypass, Thermosatic | 19505208-000    | 1    |      |

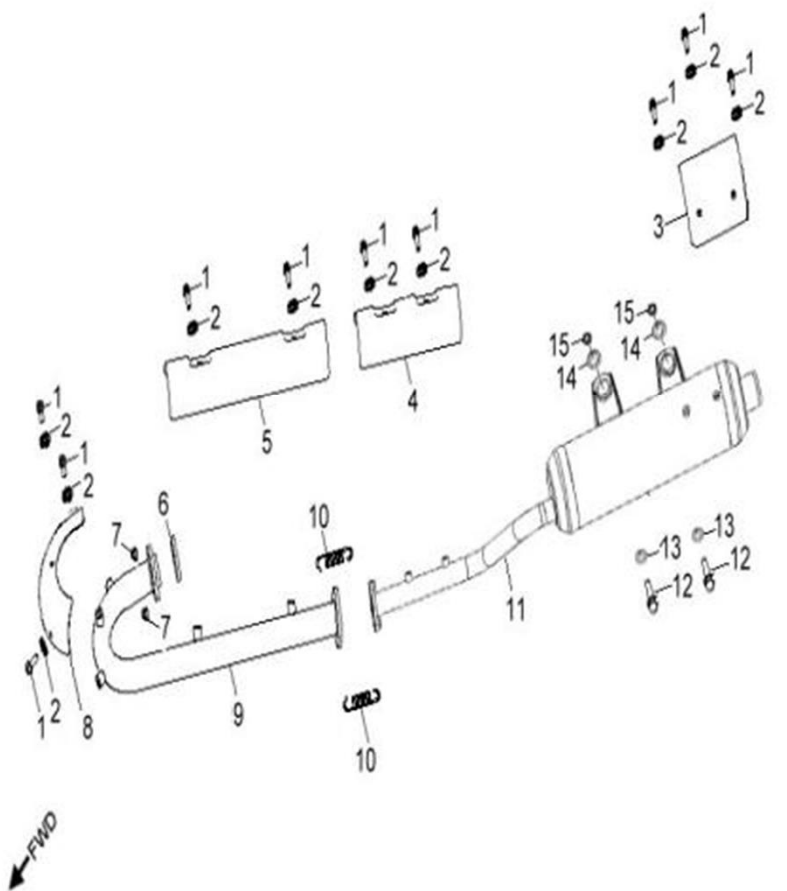




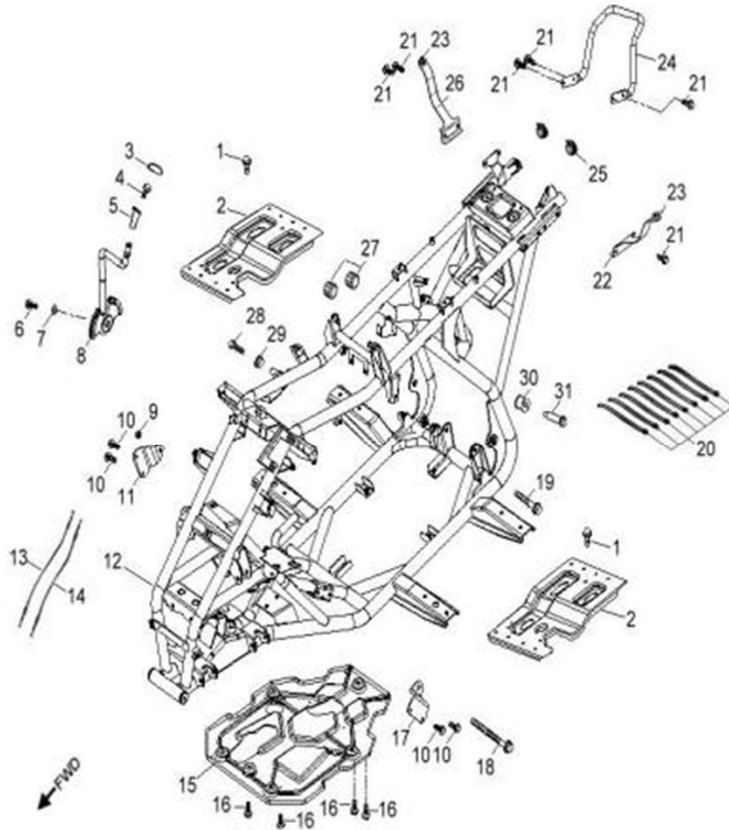


| ITEM | DESCRIPTION                | P/N              | Q'TY | Note        |
|------|----------------------------|------------------|------|-------------|
| 1    | Asm., Cleaner, Air         | 17200224-002     | 1    |             |
| 2    | Bolt                       | 92005-060168-00K | 2    | 1.0*16L W/W |
| 3    | Cover, Air Cleaner         | 17207207-000     | 1    |             |
| 4    | Gasket                     | 3371639A-000     | 1    |             |
| 5    | Filter, Air Cleaner        | 17205201-001     | 1    |             |
| 6    | Clip                       | 1720839A-000     | 4    |             |
| 7    | Clip                       | 94510-14018      | 1    | 14*1.8      |
| 8    | Tube, Breather, Ventilated | 17381222-001     | 1    |             |
| 9    | Clip                       | 94510-12016      | 1    |             |
| 10   | Plug, Trap                 | 17370201-000     | 1    |             |
| 11   | Clip                       | 94510-12012      | 2    | 12*1.2      |
| 12   | Tube, Breather, Ventilated | 17381207-000     | 1    |             |
| 13   | Strap                      | 94520-05070      | 1    |             |
| 14   | Strap                      | 89669221-000     | 1    |             |
| 15   | Box, Air Cleaner           | 17203213-000     | 1    |             |
| 16   | Clip                       | 94510-21616      | 1    |             |
| 17   | Hose, Drain                | 94414-01613-060  | 1    |             |
| 18   | Decal, Insulation          | 87011210-000     | 1    |             |
| 19   | Decal, Insulation          | 87011219-000     | 1    |             |
| 20   | Bolt                       | 92003-060168-00K | 1    | 1.0*16L W/W |
| 21   | Duct, Outlet               | 17256208-000     | 1    |             |
| 22   | Strap                      | 89669212-000     | 3    |             |
| 23   | Boot, Duct                 | 17269206-000     | 1    |             |
| 24   | Strap                      | 89669204-000     | 1    |             |
| 25   | Boot, Duct                 | 1726939A-001     | 1    |             |
| 26   | Duct, Inlet                | 1725562E-000     | 1    |             |
| 27   | Strap, Oil Hose            | 89753209-000     | 1    |             |

**D-16:EXHAUST PIPE**

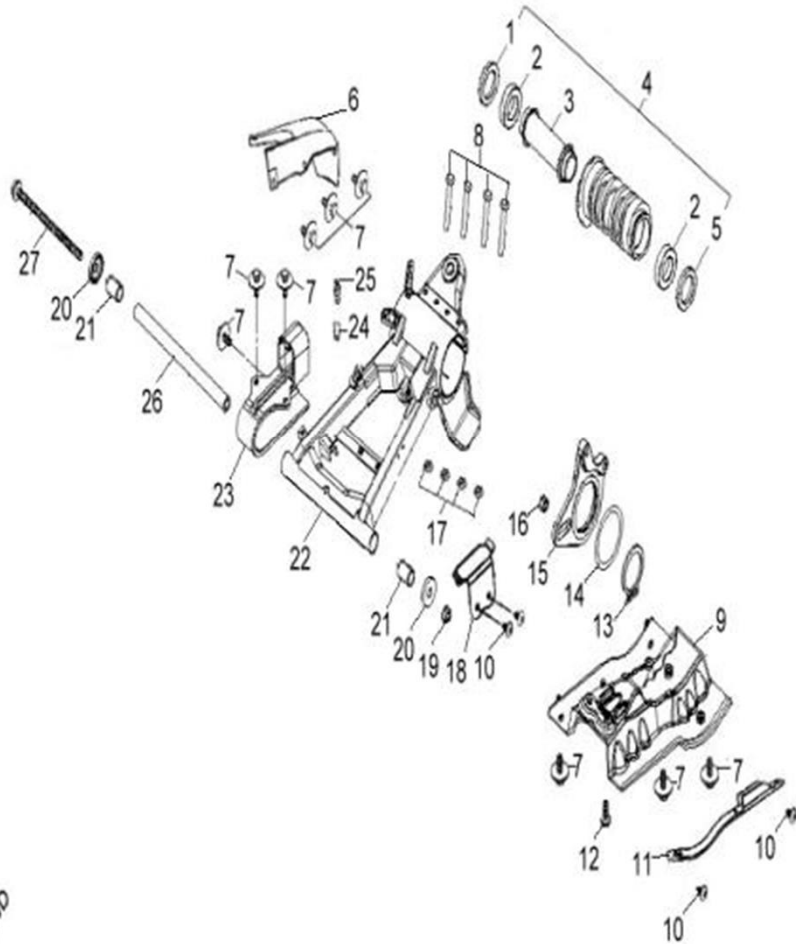


| ITEM | DESCRIPTION             | P/N               | Q'TY | Note        |
|------|-------------------------|-------------------|------|-------------|
| 1    | Bolt                    | 96000-050108-00K  | 10   | M5*P0.8*10L |
| 2    | Washer, Star            | 94103-0600000-00C | 10   | M6*P1.0     |
| 3    | Shield, Exhaust         | 18315223-000      | 1    |             |
| 4    | Shield, Exhaust         | 18315225-000      | 1    |             |
| 5    | Shield, Exhaust         | 18315224-001      | 1    |             |
| 6    | Gasket                  | 94104-3830040-000 | 1    |             |
| 7    | Nut                     | 94050-08000-00C   | 2    | M8*P1.25    |
| 8    | Muffler Protector(iron) | 18314210-000      | 1    |             |
| 9    | Pipe, Exhaust, Front    | 18299231-001      | 1    |             |
| 10   | Spring                  | 18297207-000      | 2    |             |
| 11   | Silencer                | 18298241-001      | 1    |             |
| 12   | Bolt                    | 96000-080458-0KL  | 2    |             |
| 13   | Washer                  | 94101-0822020-00C | 2    | φ8* φ 22*t2 |
| 14   | Rubber Shim             | 18323201-000      | 2    |             |
| 15   | Spacer                  | 18324201-000      | 2    |             |



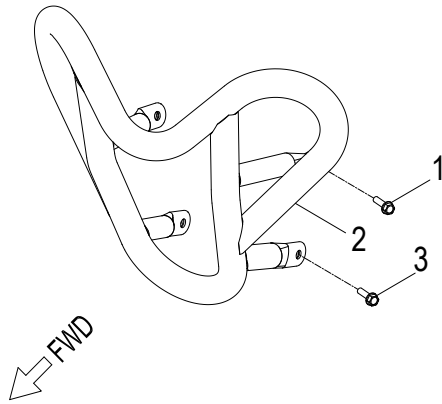
| ITEM | DESCRIPTION              | P/N               | Q"TY | Note         |
|------|--------------------------|-------------------|------|--------------|
| 1    | Bolt                     | 96000-060128-10K  | 2    | M6*P1.0*12L  |
| 2    | Bracket, Footwell, RH    | 5110555E-000      | 2    |              |
| 3    | Cover                    | 21327201-000      | 1    |              |
| 4    | Bolt                     | 96000-060128-10K  | 1    | M6*P1.0*12L  |
| 5    | Knob, Transmission Lever | 21328201-000      | 1    |              |
| 6    | Bolt                     | 96000-080128-00K  | 1    | M8*P1.25*12L |
| 7    | Washer                   | 94101-0822020-00C | 1    | φ8*φ 22*t2   |
| 8    | Gear Selector            | 21319228-000      | 1    |              |
| 9    | Nut                      | 90355-10000-17B   | 1    |              |
| 10   | Bolt                     | 96000-100209-0GL  | 4    |              |
| 11   | Mounting, Engine, Rh     | 50908205-000      | 1    |              |
| 12   | Asm., Frame              | 50100374-067      | 1    |              |
| 13   | Cable, Shift             | 21335202-000      | 1    |              |
| 14   | Cable, Shift             | 21335203-000      | 1    |              |
| 15   | Shield, Chassis          | 50106203-000      | 1    |              |
| 16   | Bolt                     | 92005-060168-00K  | 4    | 1.0*16L W/W  |
| 17   | Mounting, Engine, Lh     | 50902205-000      | 1    |              |
| 18   | Bolt                     | 96000-102008-00B  | 1    | 10*P1.25*20  |
| 19   | Bolt                     | 96000-101369-00Z  | 1    |              |
| 20   | Strap                    | 89569131-000      | 8    | ALT-200M-B   |
| 21   | Bolt                     | 92001-080168-00K  | 7    | M8*P1.25*16L |
| 22   | Bracket, Rear Fender, LH | 50142201-000      | 1    |              |
| 23   | Rubber                   | 50816153-000      | 2    |              |
| 24   | Sissy Bar                | 50105210-458      | 1    |              |
| 25   | Cap, Rubber              | 19611202-000      | 2    |              |
| 26   | Bracket, Rear Fender, RH | 50141201-000      | 1    |              |
| 27   | Grommet, Seat            | 7722539A-000      | 2    |              |
| 28   | Bolt                     | 96000-060168-10K  | 1    | M6*P1.0*16L  |
| 29   | Nut                      | 94050-06000-00K   | 1    | M6*P1.0      |
| 30   | Chain Guider             | 40525204-000      | 1    |              |
| 31   | Bolt                     | 90108-120398-00K  | 1    | 112*P1.25*39 |

**D-18:REAR SWIM ARM ASSEMBLY**

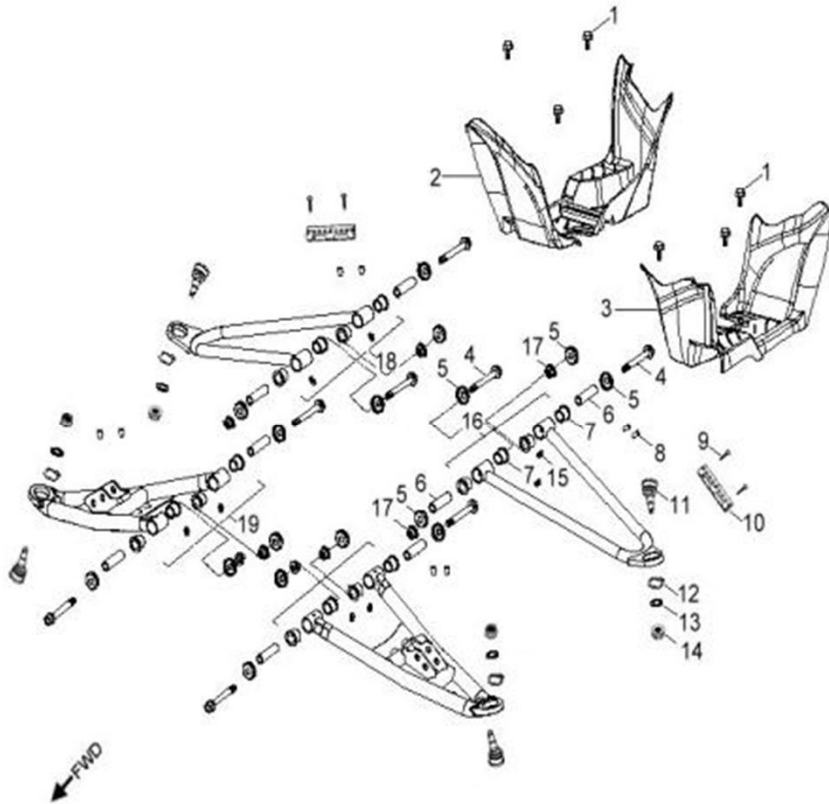


| ITEM | DESCRIPTION                 | P/N               | Q'TY | Note         |
|------|-----------------------------|-------------------|------|--------------|
| 1    | Seal, Oil                   | 96500-426208A7271 | 1    | 42* φ 62*t0  |
| 2    | Bearing, Ball               | 96100-60070-LLU00 | 2    |              |
| 3    | Tube, Spacer                | 42810221-000      | 1    |              |
| 4    | Asm., Housing, Rear Axle    | 42803217-001      | 1    |              |
| 5    | Seal, Oil                   | 96500-446208A7271 | 1    | 44* φ 62*t0  |
| 6    | Protector, Chain            | 40521206-000      | 1    |              |
| 7    | Bolt                        | 96007-060168-00K  | 9    | 1.0*16L W/W  |
| 8    | Bolt                        | 96000-100658-0KL  | 4    | 110*P1.25*65 |
| 9    | Cover, Sprocket             | 40520210-000      | 1    |              |
| 10   | Screw                       | 93903-1050128-00K | 4    | M5*12L       |
| 11   | Chain Guider                | 40525202-000      | 1    |              |
| 12   | Bolt                        | 96007-060188-00K  | 1    | 1.0*18L W/W  |
| 13   | Clip, Cir                   | 94511-7500S       | 1    |              |
| 14   | O-Ring                      | 93210-07531       | 1    | φ75*t3.1     |
| 15   | Mount, Caliper              | 43510203-000      | 1    |              |
| 16   | Shaft, Caliper Bracket      | 43512201-000      | 1    |              |
| 17   | Nut                         | 90355-10000-14C   | 4    |              |
| 18   | Retainer, Brake Line, Front | 53005301-000      | 1    |              |
| 19   | Nut                         | 90355-14000-19C   | 1    |              |
| 20   | Cover, Swing Arm Seal       | 52422202-000      | 2    |              |
| 21   | Bushing, Sheave             | 22106205-000      | 2    |              |
| 22   | Arm, Swing                  | 52410242-385      | 1    |              |
| 23   | Chain Guider                | 40525203-000      | 1    |              |
| 24   | Cap, Valve, Grease          | 51301131-000      | 1    |              |
| 25   | Valve, Grease               | 51300131-000      | 1    |              |
| 26   | Tube, Spacer                | 52420201-000      | 1    |              |
| 27   | Bolt                        | 96000-143508-00C  | 1    | 114*P1.5*35C |

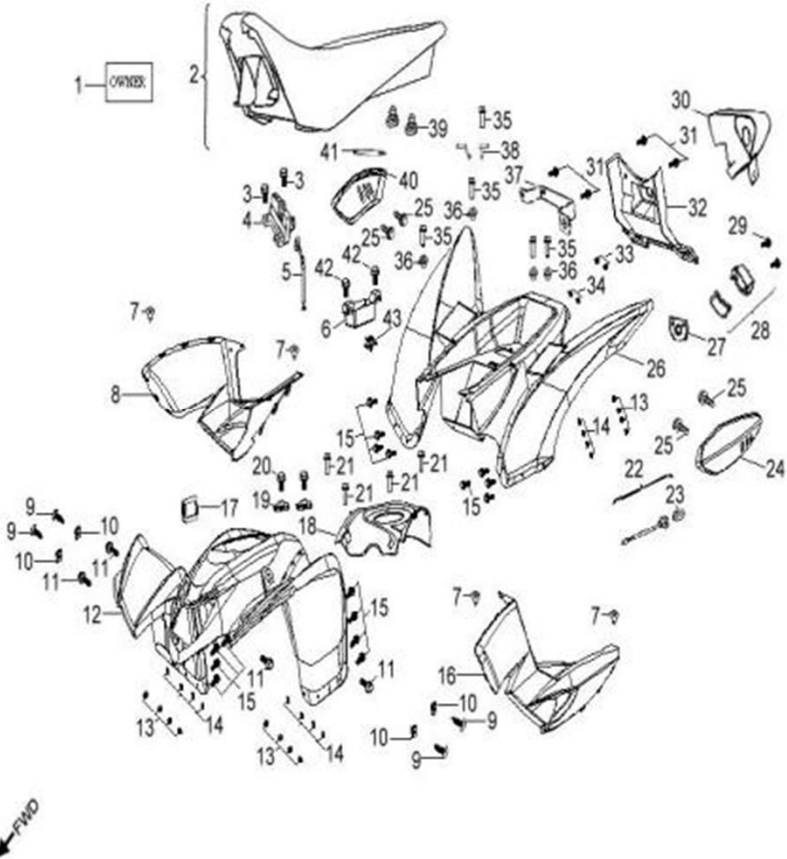
| ITEM | DESCRIPTION     | P/N              | Q'TY | Note         |
|------|-----------------|------------------|------|--------------|
| 1    | Bolt            | 92001-080128-00K | 2    | 1.25*12L W/V |
| 2    | Bracket, Bumper | 50450243-458     | 1    |              |
| 3    | Bolt            | 92005-060148-00K | 2    | 1.0*14L W/W  |



**D-20:SWING ARM,FOOTREST**



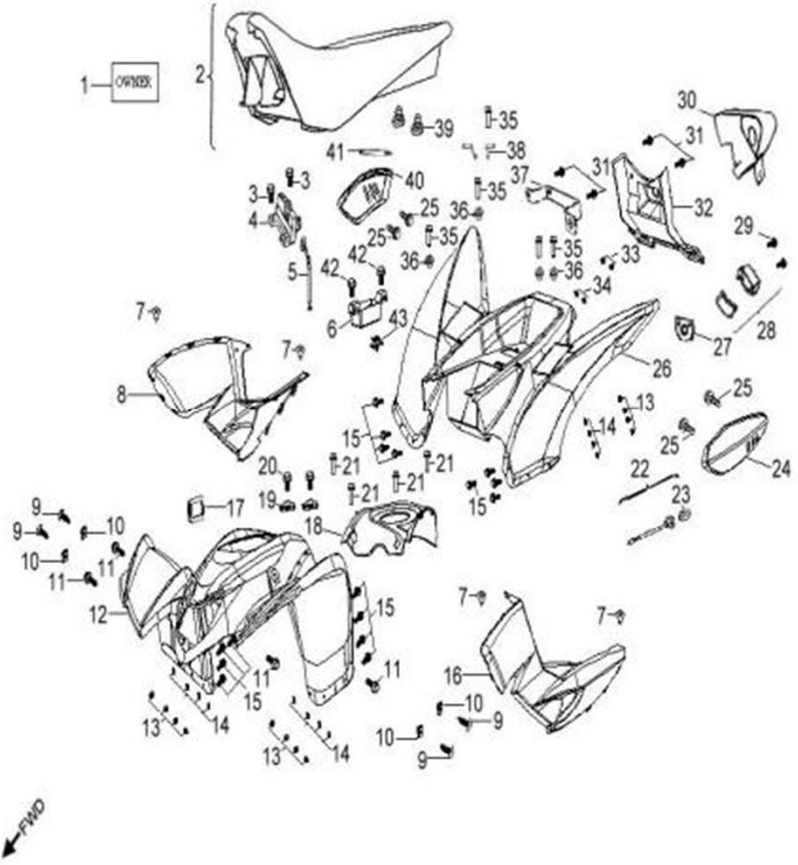
| ITEM | DESCRIPTION                 | P/N               | Q'TY | Note         |
|------|-----------------------------|-------------------|------|--------------|
| 1    | Bolt                        | 96007-060168-00K  | 6    | 1.0*16L W/W  |
| 2    | Footwell, RH                | 64300218-000      | 1    |              |
| 3    | Footwell, LH                | 64310218-000      | 1    |              |
| 4    | Bolt                        | 96000-100658-0KL  | 8    | 110*P1.25*65 |
| 5    | Cap, dustproof              | 52426156-000      | 16   |              |
| 6    | Spacer                      | 53140201-000      | 8    |              |
| 7    | Bushing                     | 53135202-000      | 16   |              |
| 8    | Cap, Valve, Grease          | 51301131-000      | 8    |              |
| 9    | Screw                       | 93903-1050128-00K | 4    | M5*12L       |
| 10   | Retainer, Brake Line, Front | 53005203-000      | 2    |              |
| 11   | Ball Joint                  | 52451204-000      | 4    |              |
| 12   | Clip, Cir                   | 94511-3113S       | 4    |              |
| 13   | Washer                      | 94101-1225020-00C | 4    | 12.1*φ25*    |
| 14   | Nut, Lock                   | 90351-12000-00C   | 4    | M12*P1.25    |
| 15   | Valve, Grease               | 51300131-000      | 8    |              |
| 16   | A-Arm, Upper, Lh            | 53132211-385      | 1    |              |
| 17   | Nut                         | 94050-10000-00C   | 8    | M10*P1.25    |
| 18   | A-Arm, Upper, Rh            | 53032211-385      | 1    |              |
| 19   | A-arm, Lower                | 53050206-385      | 2    |              |



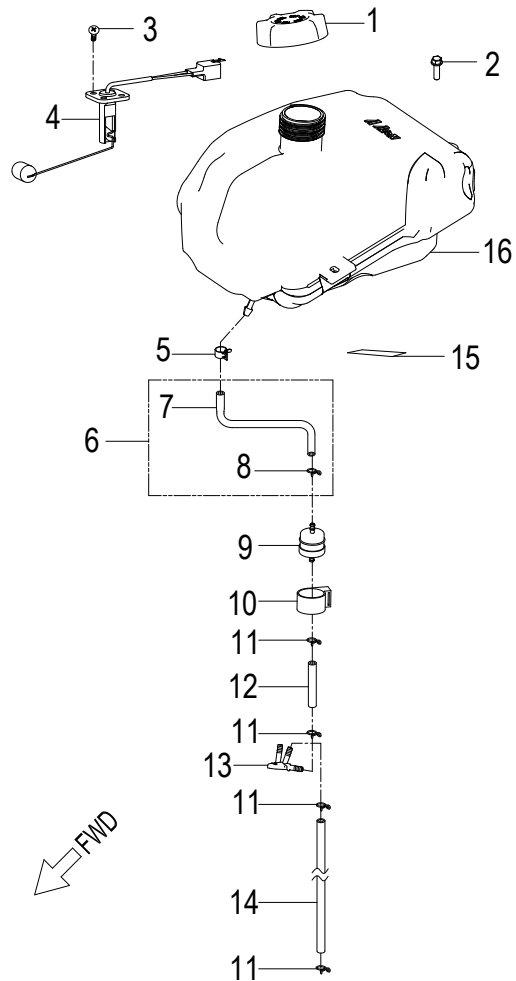
| ITEM | DESCRIPTION            | P/N                 | Q'TY | Note        |
|------|------------------------|---------------------|------|-------------|
| 1    | Manual, Owner's        | 88510229-002        | 1    |             |
| 2    | Seat                   | 77200291-070(BLACK) | 1    |             |
|      |                        | 77200291-133(WHITE) |      |             |
| 3    | Bolt                   | 96000-060148-10K    | 2    | M6*P1.0*14L |
| 4    | Lock striker           | 77231180-000        | 1    |             |
| 5    | Cable, Lock            | 77232205-000        | 1    |             |
| 6    | Tool Box               | 32111201-000        | 1    |             |
| 7    | Rivet, Plastic         | 61120153-000        | 4    |             |
| 8    | Panel, Side, RH        | 83500206-000        | 1    |             |
| 9    | Screw                  | 93903-2040128-00K   | 4    | M4*12L      |
| 10   | U-Nut                  | 90345-04000-02T     | 4    | M4*P0.6     |
| 11   | Bolt                   | 92003-060168-00K    | 4    | 1.0*16L W/W |
| 12   | Cab, Front             | 61100218-116(BLACK) | 1    |             |
|      |                        | 61100218-133(WHITE) |      |             |
| 13   | Nut                    | 90350-05000-00K     | 16   | M5*P0.8     |
| 14   | Washer                 | 94101-0514010-00K   | 16   | 5.1* φ 14*t |
| 15   | Bolt                   | 93100-050168-00K    | 16   | M5*P0.8*16L |
| 16   | Panel, Side, LH        | 83600219-000        | 1    |             |
| 17   | Boot, Shift, Rubber    | 21322203-000        | 1    |             |
| 18   | Cover, Fuel Tank       | 17555201-000        | 1    |             |
| 19   | U-Nut                  | 90344-06000-00C     | 2    | M6*P1.0     |
| 20   | Bolt                   | 93800-060148-00K    | 2    | 1.0*14L W/W |
| 21   | Screw                  | 93903-1040128-00K   | 4    | M4*12L      |
| 22   | Asm., Power Supporter  | 33713201-000        | 1    | Incl. 23    |
| 23   | Bulb, License Light    | 33709131-000        | 1    |             |
| 24   | Veneer, LH             | 18316201-000        | 1    |             |
| 25   | Screw                  | 93903-1050128-00K   | 4    | M5*12L      |
| 26   | Cab, Rear              | 6100062E-116(BLACK) | 1    |             |
|      |                        | 6100062E-133(WHITE) |      |             |
| 27   | Rubber                 | 33707131-000        | 1    |             |
| 28   | Cover, License Light   | 33710131-000        | 1    |             |
| 29   | Bolt                   | 93500-040408-00K    | 2    | M4*P0.6*40L |
| 30   | Shield, Exhaust Ass'y  | 18310202-000        | 1    |             |
| 31   | Bolt                   | 96007-060168-00K    | 4    | 1.0*16L W/W |
| 32   | License Plate          | 33708203-000        | 1    |             |
| 33   | Washer                 | 94101-0412010-00K   | 2    | φ4* φ 12*t1 |
| 34   | Nut                    | 90350-04000-00K     | 2    | M4*P0.6     |
| 35   | Bolt                   | 96000-060168-10K    | 5    | M6*P1.0*16L |
| 36   | Washer                 | 94150-0717075-00K   | 4    | 5* φ 17.5*t |
| 37   | Bracket, License Plate | 33717202-000        | 1    |             |



| ITEM | DESCRIPTION           | P/N              | Q'TY | Note   |
|------|-----------------------|------------------|------|--------|
| 38   | Strap, Battery        | 89751201-000     | 1    |        |
| 39   | Rubber, Seat          | 77220180-000     | 2    |        |
| 40   | Veneer, RH            | 18319201-000     | 1    |        |
| 41   | O-Ring                | 93213-04740      | 1    | φ47*t4 |
| 42   | Screw                 | 93100-050108-00K | 2    |        |
| 43   | Ground Cable, Battery | 89755202-000     | 1    |        |

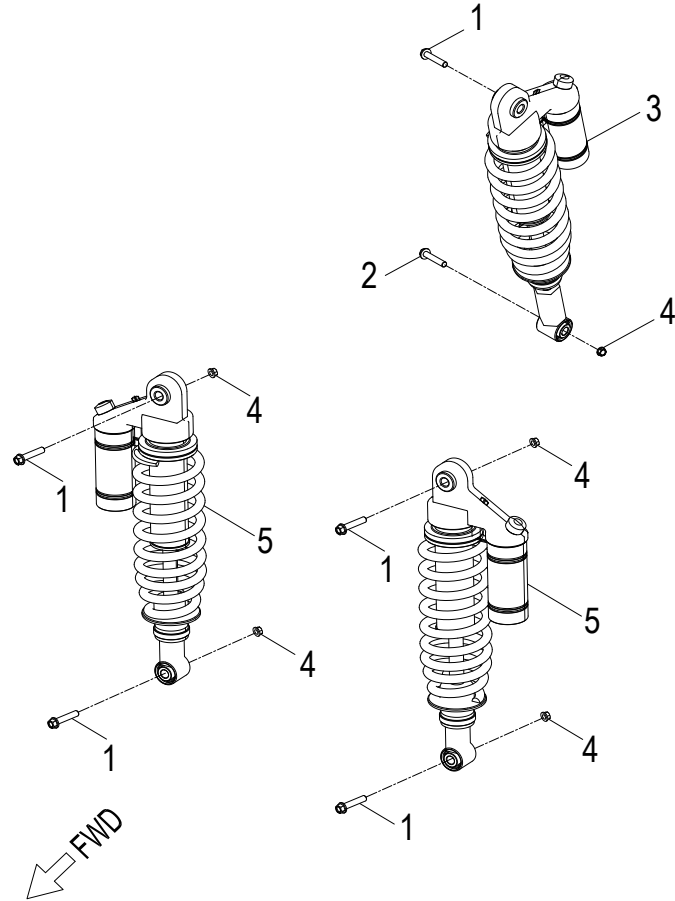




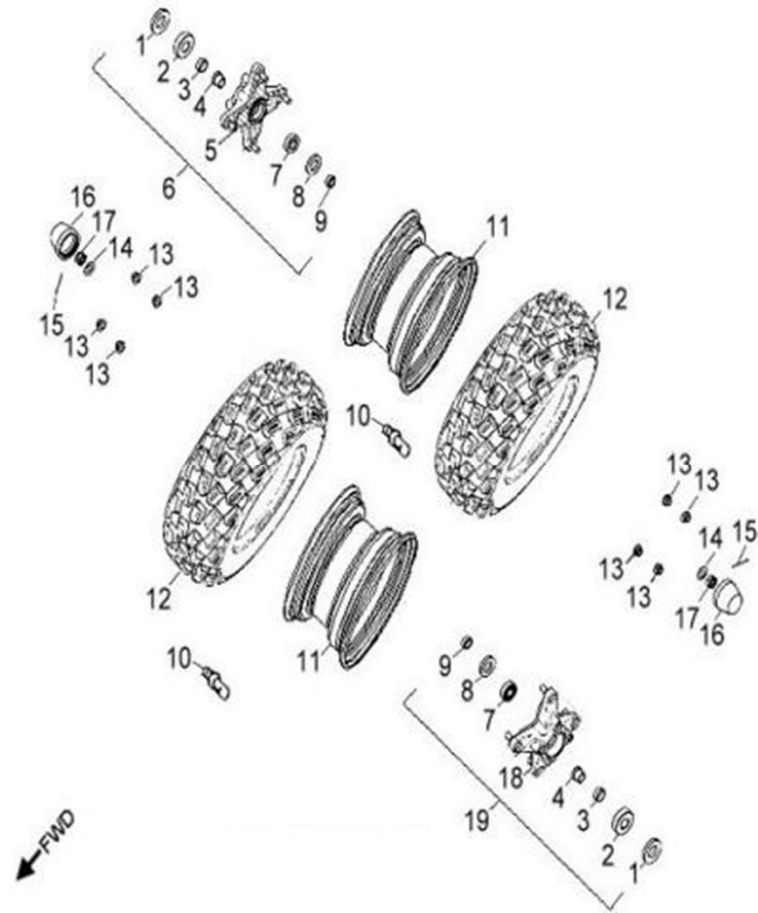


| ITEM | DESCRIPTION          | P/N              | Q'TY | Note        |
|------|----------------------|------------------|------|-------------|
| 1    | Asm., Cap, Fuel Tank | 17620202-000     | 1    | Incl. 1     |
| 2    | Bolt                 | 92005-060168-00K | 2    | 1.0*16L W/W |
| 3    | Bolt                 | 93100-050168-00K | 4    | M5*P0.8*16L |
| 4    | Sensor, Fuel         | 37800202-000     | 1    |             |
| 5    | Clamp                | 94515-10008      | 1    |             |
| 6    | Asm., Hose, Fuel     | 94410-05009-059  | 1    |             |
| 7    | Fuel Hose, Discharge | 17532229-000     | 1    |             |
| 8    | Clip                 | 94510-08008      | 1    |             |
| 9    | Filter, Fuel         | 17952111-000     | 1    |             |
| 10   | Clamp                | 1795955E-000     | 1    |             |
| 11   | Clamp                | 94510-08000      | 4    |             |
| 12   | Fuel hose            | 94401-05009-040  | 1    |             |
| 13   | Valve, Fuel          | 17950111-000     | 1    |             |
| 14   | Fuel hose            | 94401-05009-205  | 1    |             |
| 15   | Decal, Insulation    | 87011224-000     | 1    |             |
| 16   | Asm., Tank, Fuel     | 1750062E-001     | 1    |             |

| ITEM | DESCRIPTION             | P/N              | Q'TY | Note         |
|------|-------------------------|------------------|------|--------------|
| 1    | Bolt                    | 96000-100508-OKL | 5    | M10*P1.25*5C |
| 2    | Bolt                    | 96000-100608-OKL | 1    | M10*P1.25*6C |
| 3    | Asm., Suspension, Rear  | 52400245-038     | 1    |              |
| 4    | Nut                     | 94050-10000-00C  | 5    | M10*P1.25    |
| 5    | Asm., Suspension, Front | 51100245-038     | 2    |              |

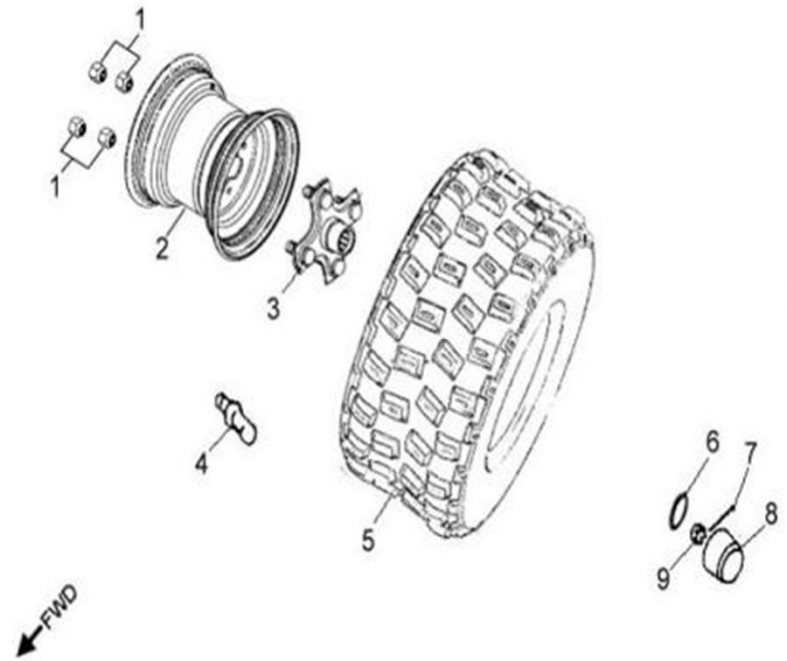


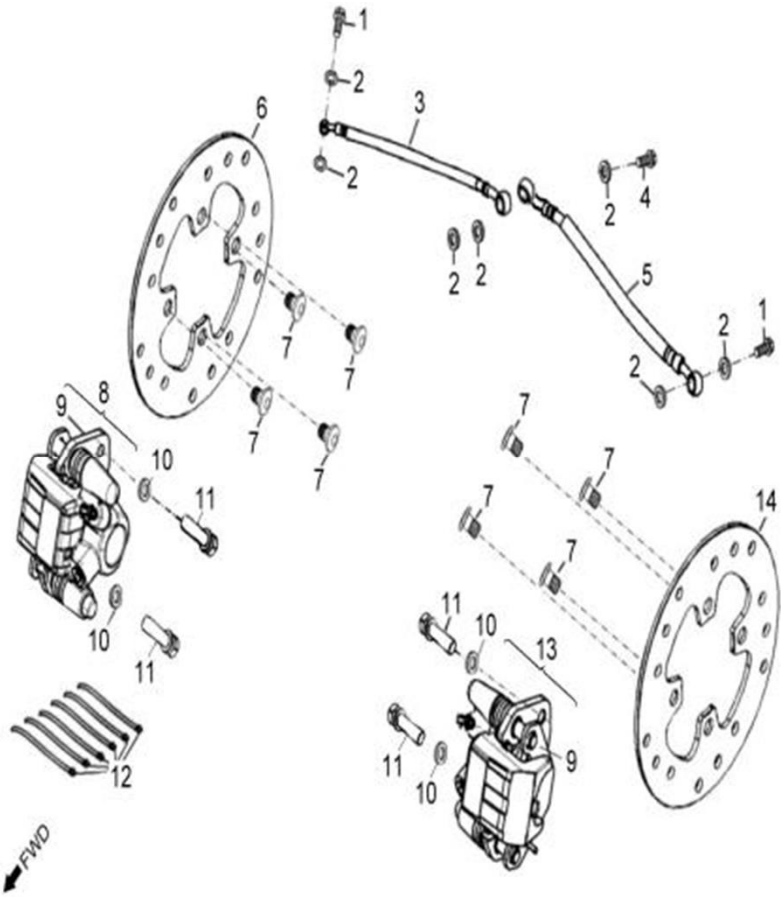
**D-24:FRONT WHEEL**



| ITEM | DESCRIPTION       | P/N               | Q'TY | Note         |
|------|-------------------|-------------------|------|--------------|
| 1    | Seal, Oil         | 96500-25470700000 | 2    | 25* φ 47*t0  |
| 2    | Bearing, Ball     | 96100-62040-Z0000 | 2    |              |
| 3    | Spacer            | 4431139A-000      | 2    |              |
| 4    | Spacer            | 4431539A-000      | 2    |              |
| 5    | Hub, Wheel, Front | 42010204-000      | 1    |              |
| 6    | Asm., Hub, Rh     | 42721206-000      | 1    |              |
| 7    | Bearing, Ball     | 0490005-000       | 2    |              |
| 8    | Seal, Oil         | 96500-223806A7271 | 2    | 22* φ 38*ε   |
| 9    | Spacer            | 4431239A-000      | 2    |              |
| 10   | Valve, Rim        | 42616131-000      | 2    |              |
| 11   | Front Rim         | 42702206-000      | 2    |              |
| 12   | Tire              | 42711231-000      | 2    | 1*7-10 DI201 |
| 13   | Nut               | 95111-10000-00B   | 8    |              |
| 14   | Washer            | 94121-1426016-000 | 2    | 14* φ 26*t1  |
| 15   | Pin, Cotter       | 94201-32320       | 2    |              |
| 16   | Cap, Hub          | 4273039A-000      | 2    |              |
| 17   | Shaft, Prob       | 90353-14015-00C   | 2    |              |
| 18   | Hub, Wheel, Front | 4201039A-000      | 1    |              |
| 19   | Asm., Hub, Lh     | 42710206-000      | 1    |              |

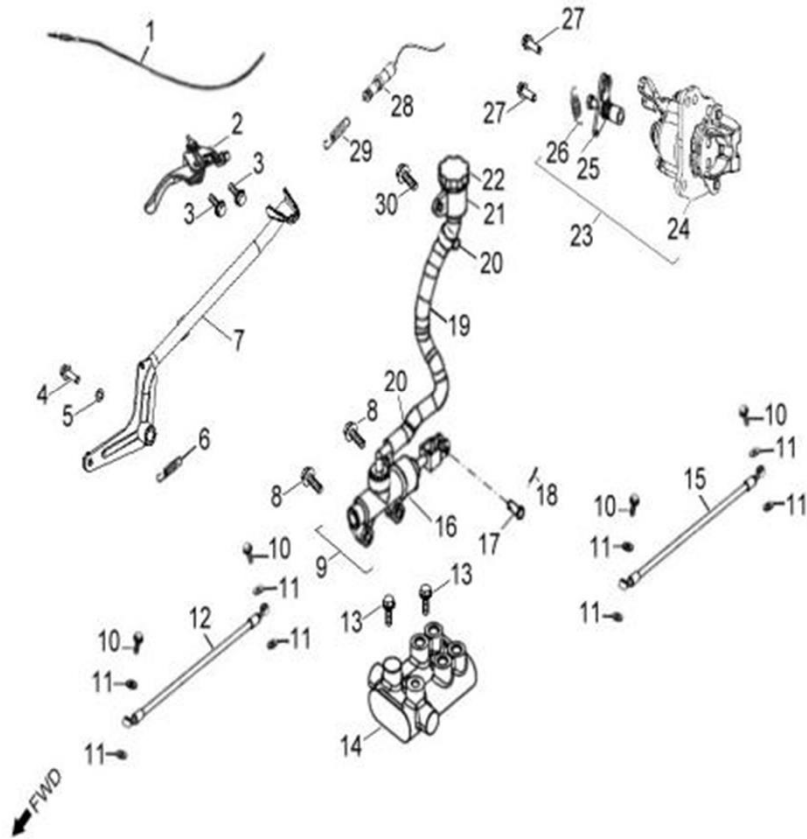
| ITEM | DESCRIPTION        | P/N               | Q'TY | Note         |
|------|--------------------|-------------------|------|--------------|
| 1    | Nut                | 95111-10000-00B   | 8    |              |
| 2    | Rear Rim(Aluminum) | 42802206-000      | 2    |              |
| 3    | Hub, Wheel, RH     | 4202039A-000      | 2    |              |
| 4    | Valve, Rim         | 42616131-000      | 2    |              |
| 5    | Tire               | 42811231-000      | 2    | 0*10-9 DI201 |
| 6    | Washer             | 94121-1835200-000 | 2    | 18* φ 35*1.5 |
| 7    | Pin, Cotter        | 94201-32320       | 2    |              |
| 8    | Cap, Hub           | 4273039A-000      | 2    |              |
| 9    | Shaft, Prob        | 90353-18000-00C   | 2    |              |



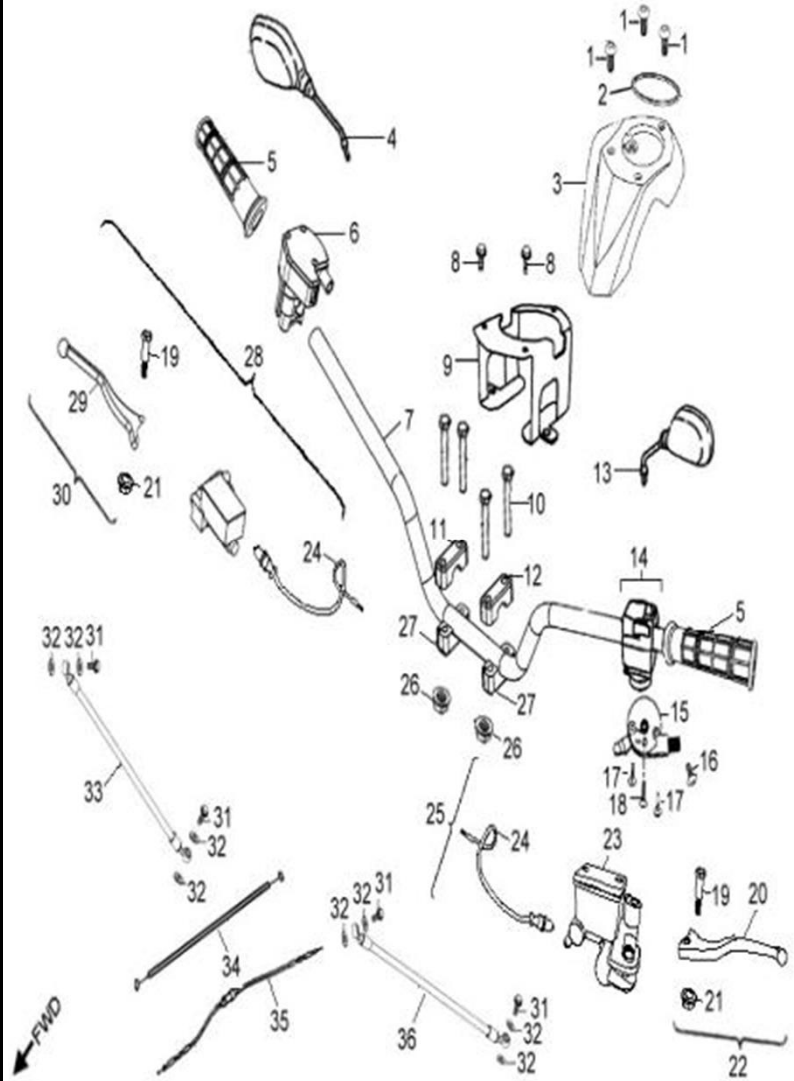


| ITEM | DESCRIPTION          | P/N               | Q'TY | Note         |
|------|----------------------|-------------------|------|--------------|
| 1    | Bolt, Banjo          | 45456111-000      | 2    |              |
| 2    | Washer               | 94101-1015012-U0B | 7    | 0.1* φ 15*t  |
| 3    | Hose, Brake          | 45447228-000      | 1    |              |
| 4    | Bolt, Banjo          | 45456202-000      | 1    |              |
| 5    | Hose, Brake          | 45447229-000      | 1    |              |
| 6    | Disc, Brake, RH      | 4502339A-000      | 1    |              |
| 7    | Bolt                 | 45016131-00K      | 8    |              |
| 8    | Asm., Caliper, RH    | 45002206-000      | 1    |              |
| 9    | Pads, Caliper, Front | 43121202-000      | 2    |              |
| 10   | Washer               | 94101-0816020-00C | 4    | φ8* φ 16*t2  |
| 11   | Screw                | 96002-080308-00K  | 4    | 1/8*P1.25*30 |
| 12   | Strap                | 89569131-000      | 6    | ALT-200M-B   |
| 13   | Asm., Caliper, LH    | 45001206-000      | 1    |              |
| 14   | Disc, Brake, LH      | 4502239A-000      | 1    |              |

**D-27: REAR BRAKE**



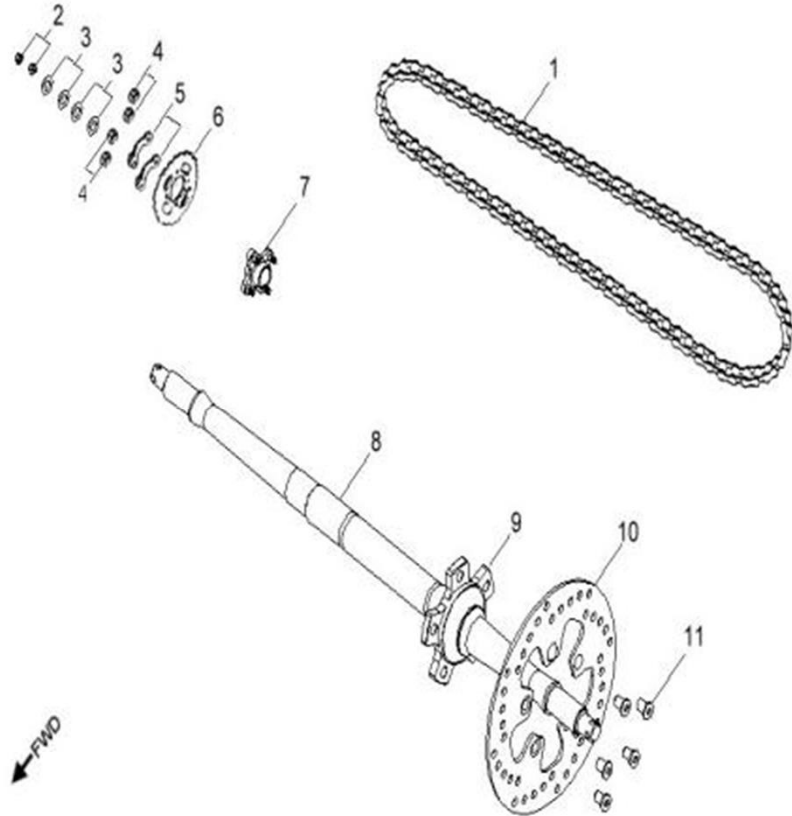
| ITEM | DESCRIPTION           | P/N               | Q"TY | Note         |
|------|-----------------------|-------------------|------|--------------|
| 1    | Cable, Parking Brake  | 38706206-001      | 1    |              |
| 2    | Lever, Parking Brake  | 3871055E-000      | 1    |              |
| 3    | Bolt                  | 91000-060208-00K  | 2    |              |
| 4    | Bolt                  | 96000-080168-OKL  | 1    | M8*P1.25*16  |
| 5    | Washer                | 94101-0822020-00C | 1    | φ8*φ 22*t2   |
| 6    | Spring                | 43421206-000      | 1    |              |
| 7    | Pedal, Brake          | 43456214-000      | 1    |              |
| 8    | Bolt                  | 92001-080258-OKL  | 2    | M8*P1.25*25  |
| 9    | Asm., Master Cylinder | 4350055E-000      | 1    |              |
| 10   | Bolt, Banjo           | 45456111-000      | 4    |              |
| 11   | Washer                | 94101-1015012-U0B | 8    | 0.1*φ 15*t   |
| 12   | Hose, Brake           | 45447230-000      | 1    |              |
| 13   | Bolt                  | 91000-080408-00C  | 2    | M8*P1.25*40  |
| 14   | Brake Shunt           | 45470201-000      | 1    |              |
| 15   | Hose, Brake           | 45447231-000      | 1    |              |
| 16   | Master Cylinder       | 4350155E-000      | 1    |              |
| 17   | Pin                   | 94302-07018       | 1    |              |
| 18   | Pin                   | 43480201-000      | 1    |              |
| 19   | Hose, Brake           | 45447210-000      | 1    |              |
| 20   | Clamp                 | 94515-12008       | 2    | 12*8         |
| 21   | Oil Tank, Brake       | 43503204-000      | 1    |              |
| 22   | Cap, Oil Tank         | 43016201-000      | 1    |              |
| 23   | Asm., Caliper, Rear   | 45000209-000      | 1    |              |
| 24   | Pad, brake, Rear      | 43120212-000      | 1    |              |
| 25   | Swing Arm, Caliper    | 43532203-000      | 1    |              |
| 26   | Spring                | 43421209-000      | 1    |              |
| 27   | Bolt                  | 96000-100258-OKL  | 2    | M10*P1.25*25 |
| 28   | Switch, Brake         | 34916201-000      | 1    |              |
| 29   | Spring, Switch        | 43422202-000      | 1    |              |
| 30   | Bolt                  | 96000-060128-OKL  | 1    | M6*P1.0*12L  |



| ITEM | DESCRIPTION           | P/N               | Q"TY | Note             |
|------|-----------------------|-------------------|------|------------------|
| 1    | Bolt                  | 93100-050128-00K  | 3    | M5*P0.8*12L      |
| 2    | Rubber, Seat          | 64320201-000      | 1    |                  |
| 3    | Pod, Handlebar        | 64211210-070      | 1    |                  |
| 4    | Mirror, RH            | 88110204-000      | 1    |                  |
| 5    | Grip, Handlebar       | 53167201-000      | 2    |                  |
| 6    | Control, Throttle     | 5390055E-000      | 1    |                  |
| 7    | Handlebar             | 53100218-385      | 1    |                  |
| 8    | Bolt                  | 96000-060128-10K  | 2    | M6*P1.0*12L      |
| 9    | Bracket, Pod          | 53310221-000      | 1    |                  |
| 10   | Bolt                  | 91000-080258-00K  | 4    | M8*P1.25*25L     |
| 11   | Clamp, Upper, RH      | 53220204-000      | 1    |                  |
| 12   | Clamp, Upper, LH      | 53210204-000      | 1    |                  |
| 13   | Mirror, LH            | 88120201-001      | 1    | Incl. 14~18      |
| 14   | Asm., Switch, LH      | 35151227-001      | 1    | Incl. 15~18      |
| 15   | Asm., Manual Choke    | 35160201-000      | 1    |                  |
| 16   | Bolt                  | 93500-030068-00C  | 1    | M3*P0.6*6L       |
| 17   | Screw                 | 93100-030048-00B  | 2    | M3*P0.6*4L       |
| 18   | Bolt                  | 93500-060088-00K  | 1    | M6*P1.0*8L       |
| 19   | Bolt                  | 89220202-000      | 2    |                  |
| 20   | Lever, Brake, LH      | 53178206-000      | 1    |                  |
| 21   | Nut                   | 94073-06006-00K   | 2    |                  |
| 22   | Asm., Lever, LH       | 53163206-000      | 1    | Incl. 19~21      |
| 23   | Master Cylinder, Left | 53185219-000      | 1    |                  |
| 24   | Sensor, Taillight     | 35345201-000      | 2    |                  |
| 25   | Asm., Lever LH        | 53171219-000      | 1    |                  |
| 26   | Nut                   | 90350-10000-00C   | 2    | M10*P1.25        |
| 27   | Clamp, Lower          | 53200204-000      | 2    |                  |
| 28   | Asm., Lever, RH       | 53172215-000      | 1    |                  |
| 29   | Lever, Brake, RH      | 53175205-000      | 1    |                  |
| 30   | Asm., Lever, RH       | 53164205-000      | 1    | Incl. 19, 21, 30 |
| 31   | Bolt, Banjo           | 45456111-000      | 4    |                  |
| 32   | Washer                | 94101-1015012-U0B | 8    | 0.1* φ 15*t      |
| 33   | Hose, Brake           | 45447233-000      | 1    |                  |
| 34   | Choke, Cable, Manual  | 53922213-000      | 1    |                  |
| 35   | Cable, Throttle       | 53910222-002      | 1    |                  |
| 36   | Hose, Brake           | 45447232-000      | 1    |                  |

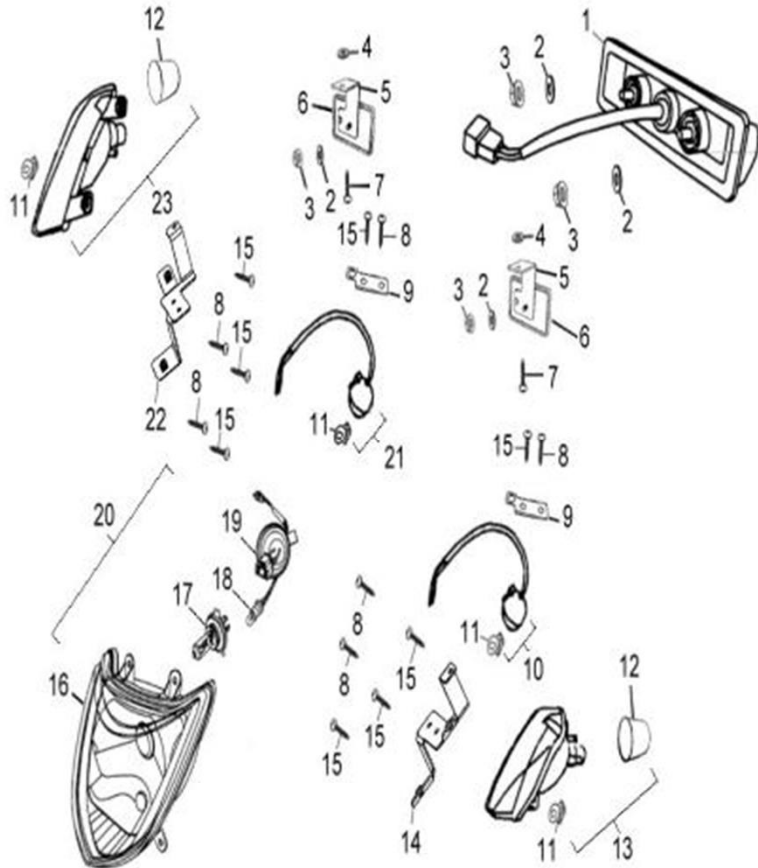
**D-29:REAR WHEEL AXLE**

| ITEM | DESCRIPTION                 | P/N               | Q'TY | Note        |
|------|-----------------------------|-------------------|------|-------------|
| 1    | Asm., Drive Chain           | 40530216-000      | 1    | 520         |
| 2    | Nut                         | 94001-33000-46K   | 2    |             |
| 3    | Washer                      | 94121-3345012-000 | 4    | 33* φ 45*t1 |
| 4    | Nut                         | 94002-10000-00C   | 4    | M10*P1.25   |
| 5    | Washer, Sprocket            | 41202156-000      | 2    |             |
| 6    | Sprocket, Drive, Final(36T) | 41201205-000      | 1    | 36T         |
| 7    | Hub, Sprocket               | 41210156-000      | 1    |             |
| 8    | Axle                        | 42000229-000      | 1    |             |
| 9    | Hub, Disc                   | 43490206-000      | 1    |             |
| 10   | Disc, Brake                 | 43511202-000      | 1    |             |
| 11   | Bolt                        | 45016131-00K      | 5    |             |

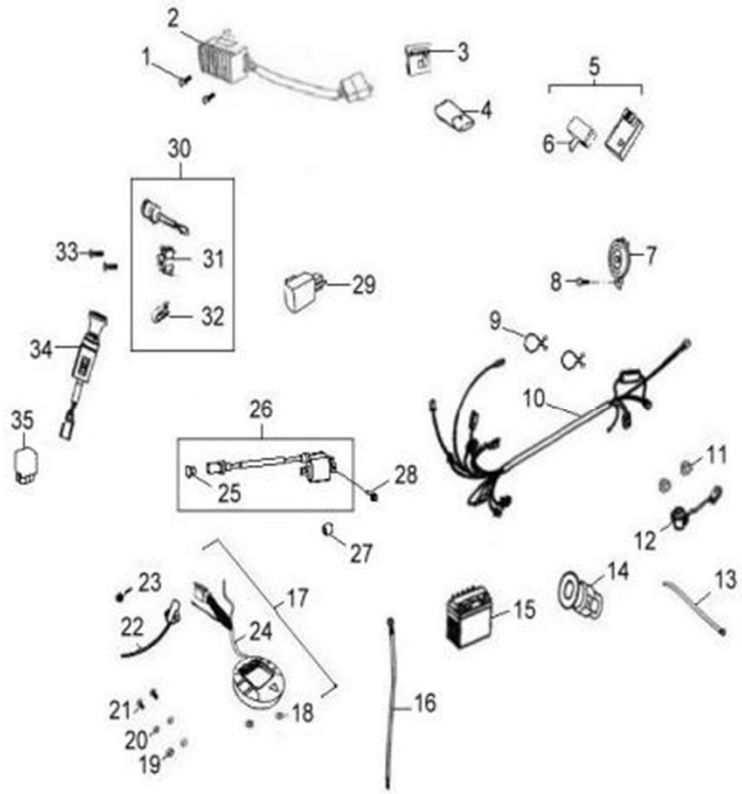




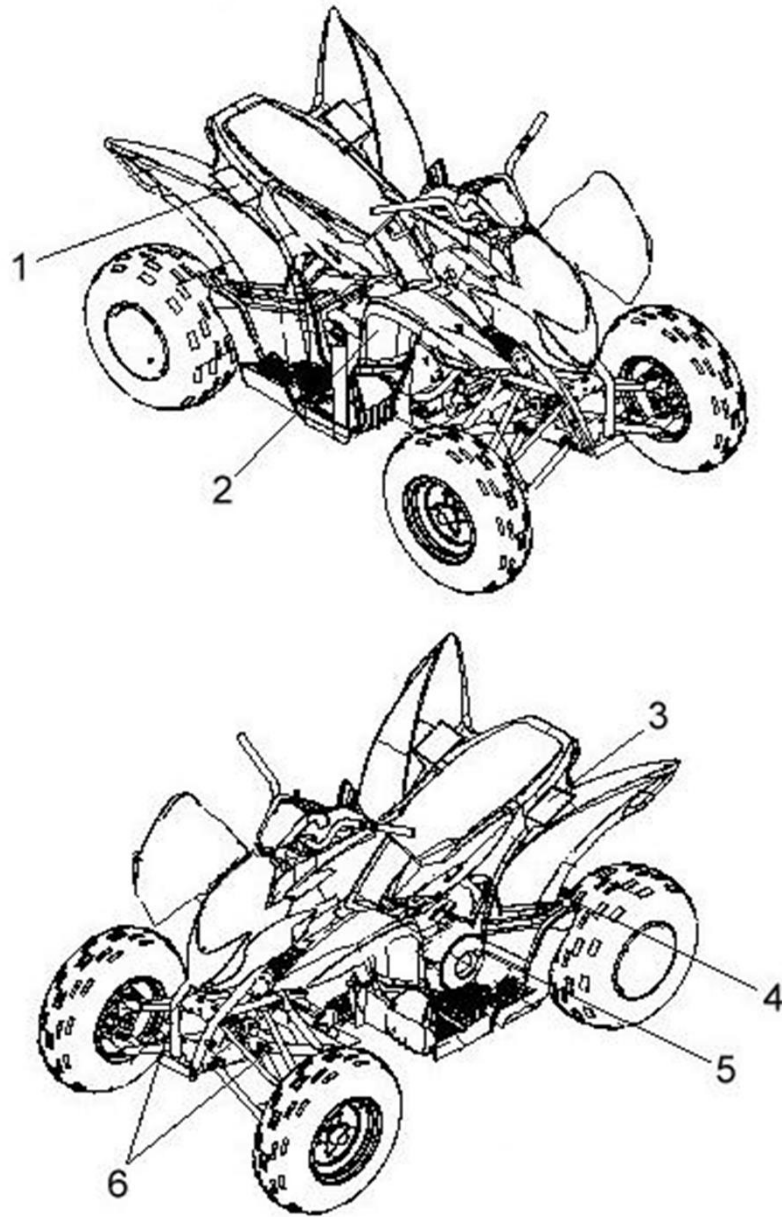




| ITEM | DESCRIPTION               | P/N               | Q'TY | Note          |
|------|---------------------------|-------------------|------|---------------|
| 1    | Asm., Taillight           | 33700202-000      | 1    |               |
| 2    | Washer                    | 94101-0519010-00K | 4    | 5.1* φ 19*t   |
| 3    | Nut                       | 94050-05000-00C   | 4    | M5*P0.8       |
| 4    | Washer                    | 94101-0412010-00K | 2    | φ4* φ 12*t1   |
| 5    | Bracket, Reflector        | 33408202-000      | 2    |               |
| 6    | Reflector                 | 33741131-000      | 2    |               |
| 7    | Screw, Tapping            | 93906-1040168-00K | 2    |               |
| 8    | Bolt                      | 93100-050128-00K  | 6    | M5*P0.8*12L   |
| 9    | Bracket, Signal, Rear     | 33406201-000      | 2    |               |
| 10   | Asm., Signal, Rear, LH    | 33850206-000      | 1    |               |
| 11   | Bulb, Signal              | 33905202-000      | 4    | 10W           |
| 12   | Boot                      | 51200203-000      | 2    |               |
| 13   | Asm., Signal, Front, LH   | 33450208-000      | 1    | Incl. 18 & 20 |
| 14   | Bracket, Front Signal, LH | 33416204-000      | 1    |               |
| 15   | Screw, Tapping            | 93906-1040128-00K | 8    |               |
| 16   | Housing, Headlight        | 33110205-000      | 1    |               |
| 17   | Bulb, Headlight           | 34901205-000      | 1    | 35W           |
| 18   | Bulb, Parking             | 34909180-000      | 1    | 5W            |
| 19   | Socket, Headlight         | 33111204-000      | 1    |               |
| 20   | Asm., Headlight           | 33100209-000      | 1    | Incl. 23~26   |
| 21   | Asm., Signal, Rear, RH    | 33800206-000      | 1    |               |
| 22   | Bracket, Front Signal, RH | 33415204-000      | 1    |               |
| 23   | Asm., Signal, Front, RH   | 33400208-000      | 1    | Incl. 18 & 20 |



| ITEM | DESCRIPTION           | P/N               | Q"TY | Note         |
|------|-----------------------|-------------------|------|--------------|
| 1    | Bolt                  | 96000-060128-10K  | 2    | M6*P1.0*12L  |
| 2    | Rectifier/ Regulator  | 31600215-000      | 1    |              |
| 3    | Fuse Box              | 32109205-000      | 1    |              |
| 4    | Pouch, Tool           | 89120215-000      | 1    |              |
| 5    | Asm., CDI Unit        | 30410246-000      | 1    |              |
| 6    | Pad, Rubber           | 30411206-000      | 1    |              |
| 7    | Horn                  | 38110204-000      | 1    |              |
| 8    | Bolt                  | 96000-080128-0KL  | 1    | M8*P1.25*12L |
| 9    | Cable                 | 89755204-000      | 2    |              |
| 10   | Harness, Main Wire    | 32100274-002      | 1    |              |
| 11   | Nut                   | 94050-06000-00K   | 2    | M6*P1.0      |
| 12   | Starter Relay         | 38501205-000      | 1    |              |
| 13   | Strap                 | 89569131-000      | 39   | ALT-200M-B   |
| 14   | Relay, Signal         | 38302202-000      | 1    |              |
| 15   | Battery               | 3150039A-000      | 1    | 12AH         |
| 16   | Asm., Battery Cable   | 32001211-000      | 1    |              |
| 17   | Asm., Speedometer     | 37200218-000      | 1    |              |
| 18   | Washer                | 94101-0613010-00B | 2    |              |
| 19   | Nut                   | 94001-06000-10B   | 2    |              |
| 20   | Washer, Spring        | 94111-0412010-00B | 2    |              |
| 21   | Bolt                  | 93500-040128-00B  | 2    |              |
| 22   | Sensor, Speedometer   | 37206201-000      | 1    |              |
| 23   | Magnet, Speedometer   | 37203206-000      | 1    |              |
| 24   | Speedometer           | 37205209-000      | 1    |              |
| 25   | Insulator Coil        | 3060550T-000      | 1    |              |
| 26   | Asm., Ignition Coil   | 30510212-000      | 1    |              |
| 27   | Rubber, Ignition Coil | 3070450T-000      | 1    |              |
| 28   | Bolt                  | 96000-060208-10K  | 2    | M6*P1.0*20L  |
| 29   | Relay, Parking        | 38701202-000      | 1    |              |
| 30   | Asm., Main Switch     | 35100252-000      | 1    |              |
| 31   | Lock, Steering        | 35106208-000      | 1    |              |
| 32   | Clip, Main Switch     | 35101131-000      | 1    |              |
| 33   | Bolt                  | 93100-050128-00K  | 2    | M5*P0.8*12L  |
| 34   | Power Supplier        | 38130179-000      | 1    |              |
| 35   | Relay, Thermo Switch  | 5042951T-000      | 1    |              |



| ITEM | DESCRIPTION                    | P/N          | Q'TY | Note |
|------|--------------------------------|--------------|------|------|
| 1    | Decal, Waring, Y-16            | 87851173-000 | 1    |      |
| 2    | Decal , Waring, Reverse        | 87854202-000 | 1    |      |
| 3    | Decal, General Waring          | 87852159-000 | 1    |      |
| 4    | Decal, Waring, Chain           | 87858156-000 | 1    |      |
| 5    | Decal-"drain bolt"             | 87843201-000 | 1    |      |
| 6    | Decal, AEON, Logo              | 87711262-S87 | 3    |      |
| -    | Whole Kit, Racing Decal GLITTE | 99700210-000 | 1    |      |